



Product Specification

7.0" TFT LCD Module

| | |
|-------------------|-----------------------|
| Model No : | AGO 070J0-NN-R |
| Resolution: | 800 X480 |
| Interface: | RGB 50PIN |
| Luminance: | 420cd/m ² |

< ◇ > Preliminary Specification

< ◆ > Finally Specification

| CUSTOMER'S APPROVAL | |
|---------------------|--------------|
| CUSTOMER : | |
| SIGNATURE: | DATE: |
| | |

| | | | |
|------------------------|------------------------|------------------------|------------------------|
| APPROVED BY | PM REVIEWED | PD REVIEWED | PREPARED BY |
| | | | |



Revision History

| Revision | Date | Originator | Detail | Remarks |
|----------|------------|------------|--------------------|---------|
| 1.0 | 2015.09.20 | | | |
| | | | | |
| | | | | |
| | | | | |
| | | | ○ seu texto aqui 1 | |
| | | | | |
| | | | | |
| | | | | |
| | | | | |
| | | | | |



Table of Contents

| No. | Item | Page |
|-------|---|------|
| 1. | General Description | 4 |
| 2. | Module Parameter..... | 4 |
| 3. | Absolute Maximum Ratings..... | 4 |
| 4. | DC Characteristics | 5 |
| 5. | Backlight Characteristic..... | 5 |
| 5.1. | Backlight Characteristics..... | 5 |
| 5.2. | Backlighting circuit..... | 5 |
| 6. | Optical Characteristics | 6 |
| 6.1. | Optical Characteristics..... | 6 |
| 6.2. | Definition of Response Time..... | 6 |
| 6.3. | Definition of Contrast Ratio | 7 |
| 6.4. | Definition of Viewing Angles..... | 7 |
| 6.5. | Definition of Color Appearance | 7 |
| 6.6. | Definition of Surface Luminance, Uniformity and Transmittance | 8 |
| 7. | Block Diagram and Power Supply | 9 |
| 8. | Interface Pins Definition | 10 |
| 9. | Timing Characteristics..... | 12 |
| 9.1. | AC Electrical Characteristics..... | 12 |
| 9.2. | Input Clock and Data Timing Diagram..... | 12 |
| 9.3. | Timing | 13 |
| 9.4. | Data Input Format..... | 13 |
| 9.5. | Power Sequence | 14 |
| 10. | Quality Assurance | 15 |
| 10.1 | Purpose..... | 15 |
| 10.2 | Standard for Quality Test | 15 |
| 10.3 | Nonconforming Analysis & Disposition | 15 |
| 10.4 | Agreement Items | 16 |
| 10.5 | Standard of the Product Visual Inspection..... | 16 |
| 10.6 | Inspection Specification | 16 |
| 10.7 | Classification of Defects..... | 20 |
| 10.8 | Identification/marketing criteria | 20 |
| 10.9 | Packing | 20 |
| 11. | Reliability Specification..... | 21 |
| 12. | Precautions and Warranty..... | 22 |
| 12.1. | Safety..... | 22 |
| 12.2. | Handling..... | 22 |
| 12.3. | Storage | 22 |
| 12.4. | Metal Pin (Apply to Products with Metal Pins) | 22 |
| 12.5. | Operation | 23 |
| 12.6. | Static Electricity | 23 |
| 12.7. | Limited Warranty | 23 |
| 13. | Outline Drawing | 24 |



1. General Description

The specification is a transmissive type color active matrix liquid crystal display (LCD) which uses amorphous thin film transistor (TFT) as switching devices. This product is composed of a TFT-LCD panel, driver ICs and a backlight unit.

2. Module Parameter

| Features | Details | Unit |
|--------------------------------|------------------------------------|------------|
| Display Size (Diagonal) | 7.0" | |
| LCD type | TN TFT | |
| Display Mode | Transmissive/Normal White | |
| Resolution | 800 RGB x 480 | Pixels |
| View Direction | 12 O'clock | Best Image |
| Gray Scale Inversion Direction | 6 O'clock | |
| Module Outline | 164.9(H) x 100(V) x 5.7(T) (Note1) | mm |
| Active Area | 154.08(H) x 85.92(V) | mm |
| Pixel Size | 192.6(H) x 179(V) | um |
| Pixel Arrangement | R.G.B Stripe | |
| Polarizer Surface Treatment | Anti-glare | |
| Display Colors | 16.7M | |
| Interface | 24 Bit RGB | |
| With or Without Touch Panel | Without | |
| Operating Temperature | -20~70 | °C |
| Storage Temperature | -30~80 | °C |
| Weight | 150 | g |

Note 1: Exclusive hooks, posts, FFC/FPC tail, etc.

3. Absolute Maximum Ratings

$V_{SS}=0V$, $T_a=25^{\circ}C$

| Item | Symbol | Min. | Max. | Unit |
|-----------------------|------------------|------|------|------|
| Supply Voltage | VCC | -0.3 | 5.0 | V |
| Storage Temperature | T _{STG} | -30 | 80 | °C |
| Operating Temperature | T _{OP} | -20 | 70 | °C |

Note 1: If T_a below $50^{\circ}C$, the maximal humidity is 90%RH, if T_a over $50^{\circ}C$, absolute humidity should be less than 60%RH.

Note 2: The response time will be extremely slow when the operating temperature is around $-10^{\circ}C$, and the background will become darker at high temperature operating.



4. DC Characteristics

| Item | Symbol | Min. | Typ. | Max. | Unit |
|----------------------------------|-----------------|----------|------|----------|------|
| Digital Power Supply Voltage | DVDD | 3.0 | 3.3 | 3.6 | V |
| Analog Power Supply Voltage | AVDD | 10.2 | 10.4 | 10.6 | V |
| TFT Device ON Voltage | V _{GH} | 15.3 | 16.0 | 16.7 | V |
| TFT Device OFF Voltage | V _{GL} | -7.7 | -7.0 | -6.3 | V |
| Common Electrode Driving Voltage | VCOM | 2.6 | 3.6 | 4.6 | V |
| Low Level Input Voltage | VIL | 0 | - | 0.3*DVDD | V |
| High Level Input Voltage | VIH | 0.7*DVDD | - | DVDD | V |

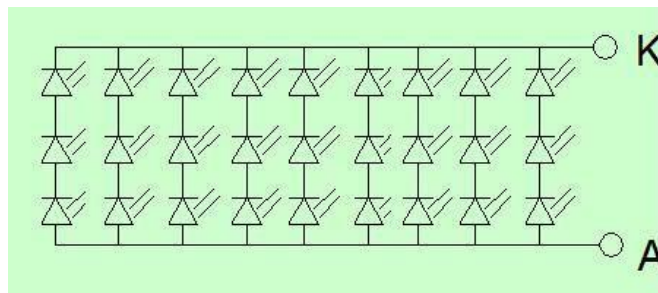
5. Backlight Characteristic

5.1. Backlight Characteristics

| Item | Symbol | Condition | Min | Typ | Max | Unit |
|-------------------------|--|---|------------|------------|-------------|------|
| Forward Voltage | V _F | T _a =25 °C, I _F =20mA/LED | 8.4 | 9.3 | 10.2 | V |
| Forward Current | I _F | T _a =25 °C, V _F =3.1V/LED | - | 180 | - | mA |
| Power Dissipation | P _D | | - | 1.674 | - | W |
| Uniformity | Avg | | 70 | 75 | - | % |
| LED Working Life (25°C) | - | | - | 30000 | - | Hrs |
| Drive Method | Constant Current | | | | | |
| LED Configuration | 27 White LEDs (3 LEDs in one string and 9groups in parallel) | | | | | |

Note1: LED lifetime defined as follows: The final brightness is at 50% of original brightness. The environmental conducted under ambient air flow, at T_a=25 ± 2 °C, 60%RH ± 5%, I_F=20mA

5.2. Backlighting circuit





6. Optical Characteristics

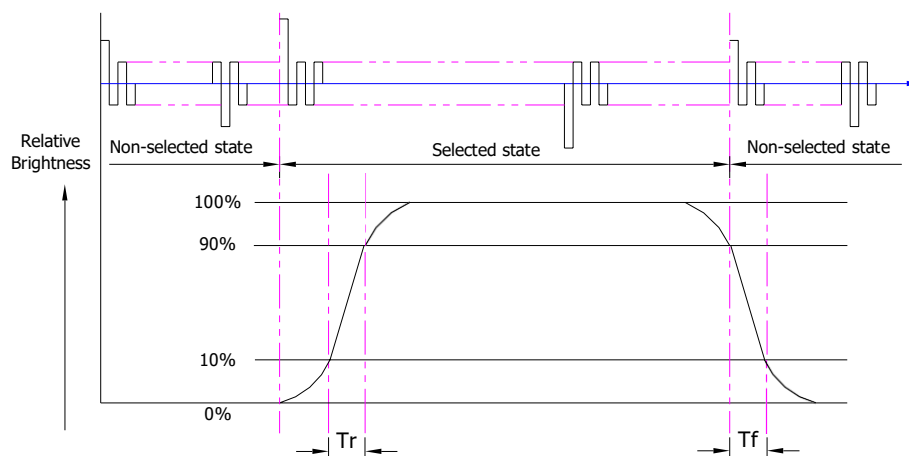
6.1. Optical Characteristics

Ta=25°C, DVDD=3.3V

| | Item | Symbol | Condition | Specification | | | Unit | |
|----------------------------------|---|-----------------|--|---------------|-------|-------|-------------------|------|
| | | | | Min. | Typ. | Max. | | |
| Backlight On (Transmissive Mode) | Luminance on TFT(I _f =20mA/LED) | L _v | Normally viewing angle θ _x =φ _y =0° | 400 | 420 | - | cd/m ² | |
| | Contrast ratio (See 6.3) | CR | | - | 500 | - | | |
| | Response time (See 6.2) | T _R | | - | 10 | 20 | ms | |
| | | T _F | - | 15 | 30 | | | |
| | Chromaticity Transmissive (See 6.5) | Red | X _R | Center CR≥10 | 0.524 | 0.574 | 0.624 | |
| | | | Y _R | | 0.290 | 0.340 | 0.390 | |
| | | Green | X _G | | 0.272 | 0.322 | 0.372 | |
| | | | Y _G | | 0.556 | 0.606 | 0.656 | |
| | | Blue | X _B | | 0.091 | 0.141 | 0.191 | |
| | | | Y _B | | 0.040 | 0.090 | 0.140 | |
| | White | X _W | 0.244 | 0.294 | 0.344 | | | |
| | | Y _W | 0.286 | 0.336 | 0.386 | | | |
| | Viewing Angle (See 6.4) | Horizontal | θ _{x+} | Center CR≥10 | 60 | 70 | - | Deg. |
| | | | θ _{x-} | | 60 | 70 | - | |
| Vertical | | φ _{y+} | 40 | | 50 | - | | |
| | | φ _{y-} | 60 | | 70 | - | | |

6.2. Definition of Response Time

6.2.1. Normally Black Type (Negative)



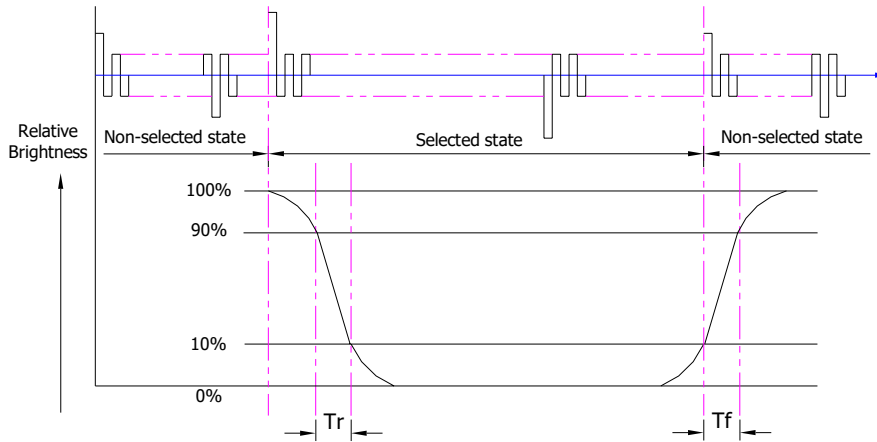
Tr is the time it takes to change from non-selected state with relative luminance 10% to selected state with relative luminance 90%.

Tf is the time it takes to change from selected state with relative luminance 90% to non-selected state with relative luminance 10%.

Note : Measuring machine: LCD-5100



6.2.2. Normally White Type (Positive)



Tr is the time it takes to change from non-selected state with relative luminance 90% to selected state with relative luminance 10%;

Tf is the time it takes to change from selected state with relative luminance 10% to non-selected state with relative luminance 90%;

Note : Measuring machine: LCD-5100 or EQUI

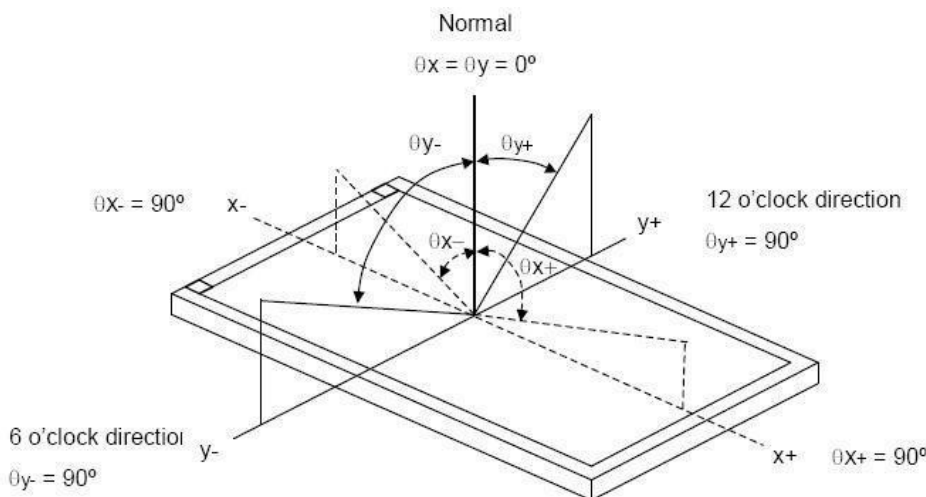
6.3. Definition of Contrast Ratio

Contrast is measured perpendicular to display surface in reflective and transmissive mode. The measurement condition is:

| | |
|--------------------------|--------------------------|
| Measuring Equipment | Eldim or Equivalent |
| Measuring Point Diameter | 3mm//1mm |
| Measuring Point Location | Active Area centre point |
| Test pattern | A: All Pixels white |
| | B: All Pixel black |
| Contrast setting | Maximum |

Definitions: CR (Contrast) = Luminance of White Pixel / Luminance of Black Pixel

6.4. Definition of Viewing Angles



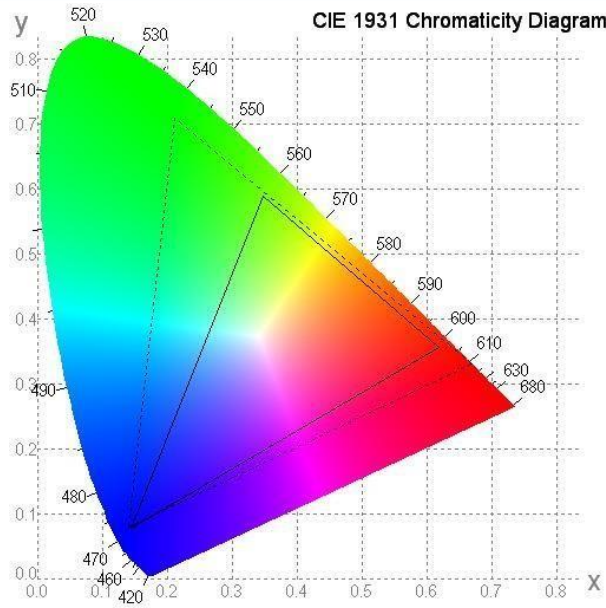
Measuring machine: LCD-5100 or EQUI

6.5. Definition of Color Appearance

R,G,B and W are defined by (x, y) on the IE chromaticity diagram

NTSC=area of RGB triangle/area of NTSC triangleX100%

Measuring picture: Red, Green, Blue and White (Measuring machine: BM-7)

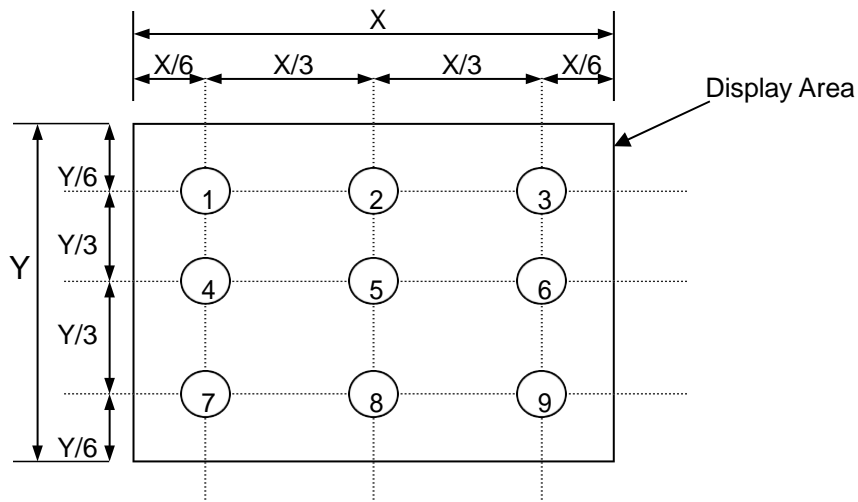


6.6. Definition of Surface Luminance, Uniformity and Transmittance

Using the transmissive mode measurement approach, measure the white screen luminance of the display panel and backlight.

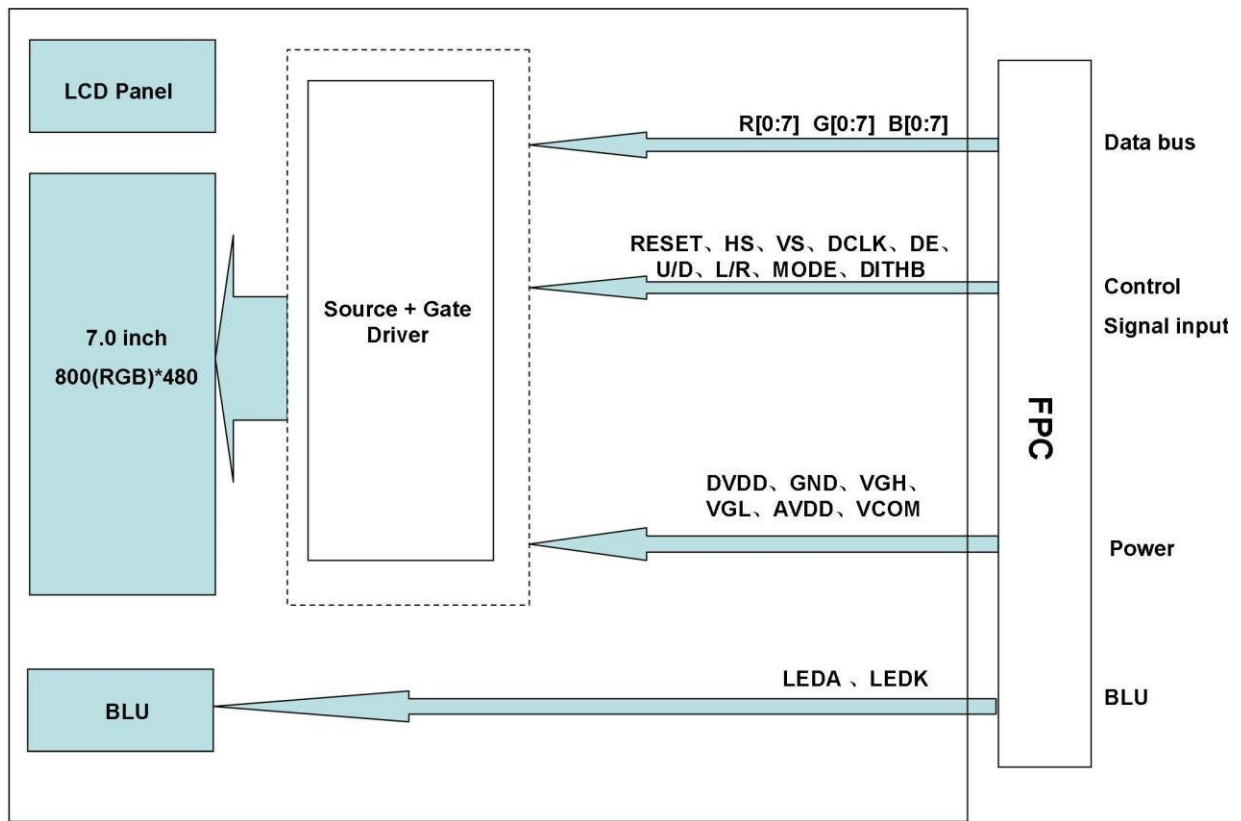
- 6.6.1. Surface Luminance: $L_V = \text{Average } (L_{P1}:L_{P9})$
- 6.6.2. Uniformity = $\text{Minimal } (L_{P1}:L_{P9}) / \text{Maximal } (L_{P1}:L_{P9}) * 100\%$
- 6.6.3. Transmittance = $L_V \text{ on LCD} / L_V \text{ on Backlight} * 100\%$

Note : Measuring Machine: BM-7





7. Block Diagram and Power Supply





| No. | Symbol | Function | Remark |
|-----|--------|--|--------|
| 1 | LEDA | Led anode | |
| 2 | LEDA | Led anode | |
| 3 | LEDK | Led cathode | |
| 4 | LEDK | Led cathode | |
| 5 | GND | Ground | |
| 6 | VCOM | Common voltage input | |
| 7 | DVDD | Digital power supply | |
| 8 | MODE | DE/SYNC mode select. H:DE mode, L:SYNC mode | |
| 9 | DE | Data enable signal, active high to enable data | |
| 10 | VS | Vertical sync input, negative polarity | |
| 11 | HS | Horizontal sync input, negative polarity | |
| 12 | B7 | Blue data (MSB) | |
| 13 | B6 | Blue data | |
| 14 | B5 | Blue data | |
| 15 | B4 | Blue data | |
| 16 | B3 | Blue data | |
| 17 | B2 | Blue data | |
| 18 | B1 | Blue data | |
| 19 | B0 | Blue data (LSB) | |
| 20 | G7 | Green data (MSB) | |
| 21 | G6 | Green data | |
| 22 | G5 | Green data. | |
| 23 | G4 | Green data | |
| 24 | G3 | Green data | |
| 25 | G2 | Green data | |
| 26 | G1 | Green data. | |
| 27 | G0 | Green data (LSB) | |
| 28 | R7 | Red data (MSB) | |
| 29 | R6 | Red data | |
| 30 | R5 | Red data | |
| 31 | R4 | Red data | |
| 32 | R3 | Red data | |
| 33 | R2 | Red data | |
| 34 | R1 | Red data | |
| 35 | R0 | Red data (LSB) | |
| 36 | GND | Ground | |
| 37 | DCLK | Clock for input data | |
| 38 | GND | Ground | |
| 39 | L/R | Source left or right sequence control | |
| 40 | U/D | Gate up or down scan control | |
| 41 | VGH | Positive power of TFT | |
| 42 | VGL | Negative power of TFT | |
| 43 | AVDD | Analog power supply | |



| | | | |
|----|-------|---|--|
| 44 | RESET | Global reset pin | |
| 45 | NC | No connection | |
| 46 | VCOM | Common voltage input | |
| 47 | DITHB | Dithering setting. H: 6bit resolution, L: 8bit resolution | |
| 48 | GND | Ground | |
| 49 | NC | No connection | |
| 50 | NC | No connection | |

8. Interface Pins Definition

Note 1: DE/SYNC mode select. Normally pull high.

When select DE mode, MODE="1", VS and HS must pull high.

When select SYNC mode, MODE="0", DE must be grounded.

Note 2: When input 18 bits RGB data, the two low bits of R, G and B data must be grounded.

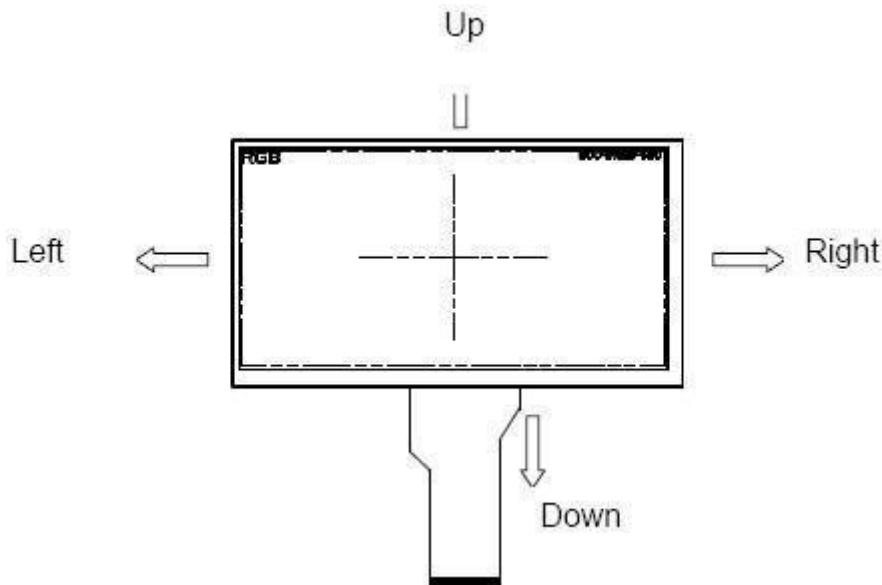
Note 3: Data shall be latched at the falling edge of DCLK.

Note 4: Selection of scanning mode

| Setting of scan control input | | Scanning direction |
|-------------------------------|------|---------------------------|
| U/D | L/R | |
| GND | DVDD | Up to down, left to right |
| DVDD | GND | Down to up, right to left |
| GND | GND | Up to down, right to left |
| DVDD | DVDD | Down to up, left to right |

Note 5: Definition of scanning direction.

Refer to the figure as below:



Note 6: Global reset pin. Active low to enter reset state. Suggest to connect with an RC reset circuit for stability. Normally pull high.

Note 7: Dithering function enable control, normally pull high.

When DITHB="1", Disable internal dithering function.

When DITHB="0", Enable internal dithering function.

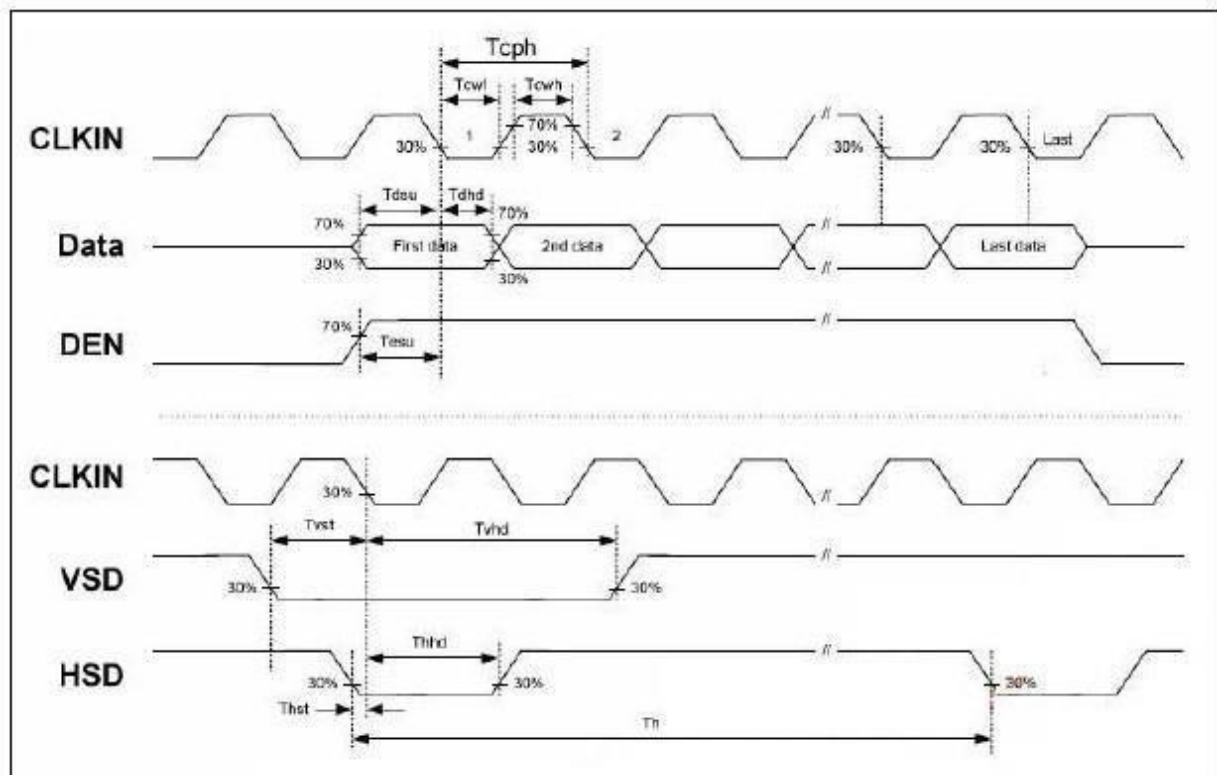


9. Timing Characteristics

9.1. AC Electrical Characteristics

| Item | Symbol | Values | | | Unit | Remark |
|-------------------------------------|-----------|--------|------|------|------|--------------------------------|
| | | Min. | Typ. | Max. | | |
| HS setup time | T_{hst} | 8 | - | - | ns | |
| HS hold time | T_{hhd} | 8 | - | - | ns | |
| VS setup time | T_{vst} | 8 | - | - | ns | |
| VS hold time | T_{vhd} | 8 | - | - | ns | |
| Data setup time | T_{dsu} | 8 | - | - | ns | |
| Data hole time | T_{dhd} | 8 | - | - | ns | |
| DE setup time | T_{esu} | 8 | - | - | ns | |
| DE hole time | T_{ehd} | 8 | - | - | ns | |
| DV _{DD} Power On Slew rate | T_{POR} | - | - | 20 | ms | From 0 to 90% DV _{DD} |
| RESET pulse width | T_{Rst} | 1 | - | - | ms | |
| DCLK cycle time | T_{coh} | 20 | - | - | ns | |
| DCLK pulse duty | T_{cwh} | 40 | 50 | 60 | % | |

9.2. Input Clock and Data Timing Diagram



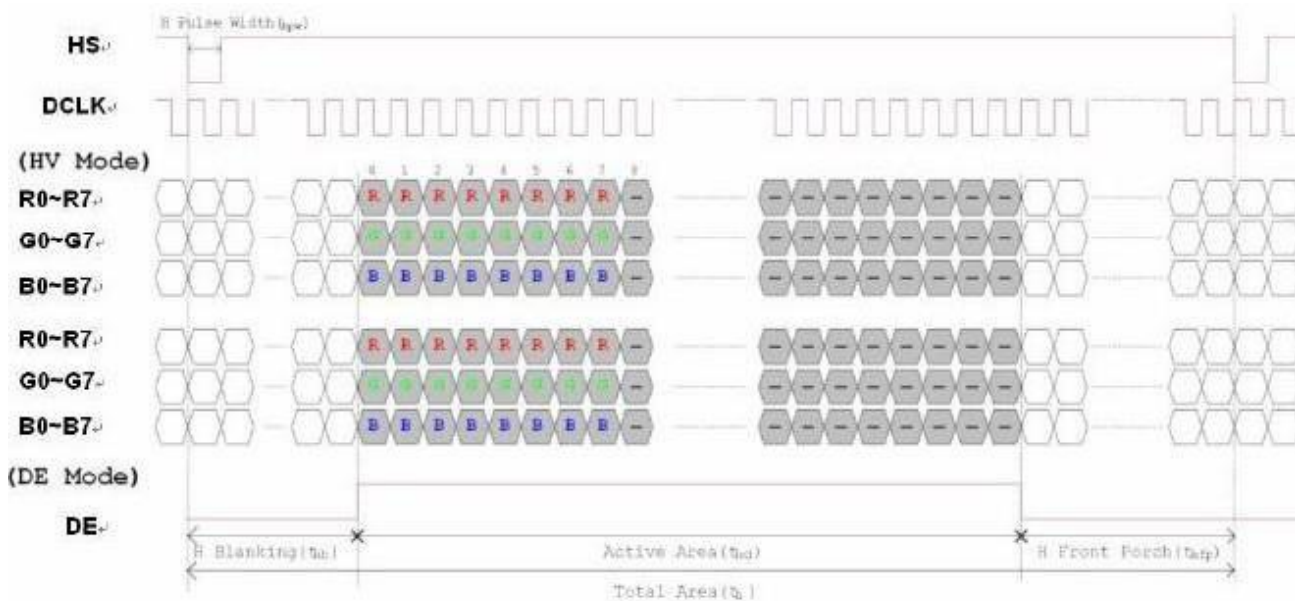


9.3. Timing

| Item | Symbol | Values | | | Unit | Remark |
|-------------------------|--------|--------|------|------|------|--------|
| | | Min. | Typ. | Max. | | |
| Horizontal Display Area | thd | - | 800 | - | DCLK | |
| DCLK Frequency | fclk | 26.4 | 33.3 | 46.8 | MHz | |
| One Horizontal Line | th | 862 | 1056 | 1200 | DCLK | |
| HS pulse width | thpw | 1 | - | 40 | DCLK | |
| HS Blanking | thb | 46 | 46 | 46 | DCLK | |
| HS Front Porch | thfp | 16 | 210 | 354 | DCLK | |

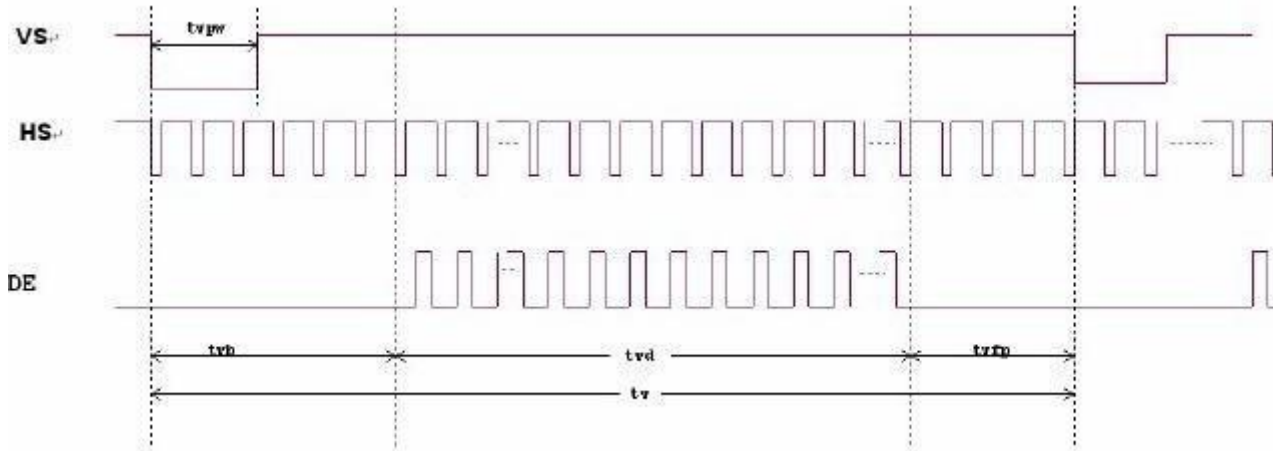
| Item | Symbol | Values | | | Unit | Remark |
|-----------------------|--------|--------|------|------|------|--------|
| | | Min. | Typ. | Max. | | |
| Vertical Display Area | tvd | - | 480 | - | TH | |
| VS period time | tv | 510 | 525 | 650 | TH | |
| VS pulse width | tvpw | 1 | - | 20 | TH | |
| VS Blanking | tvb | 23 | 23 | 23 | TH | |
| VS Front Porch | tvfp | 7 | 22 | 147 | TH | |

9.4. Data Input Format





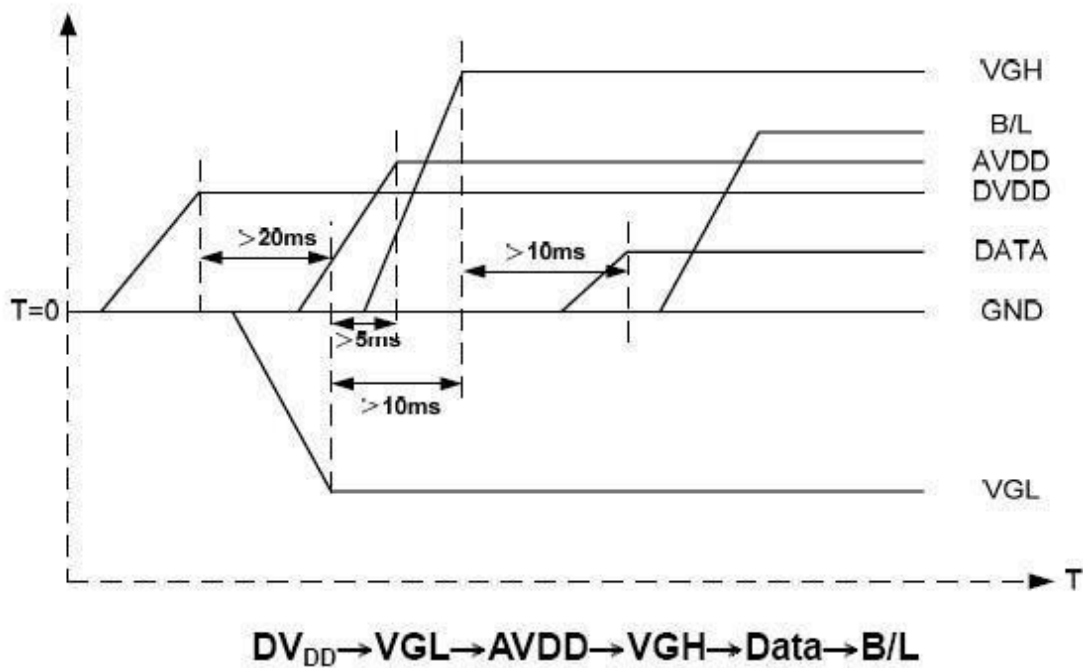
Horizontal input timing diagram



Vertical input timing diagram

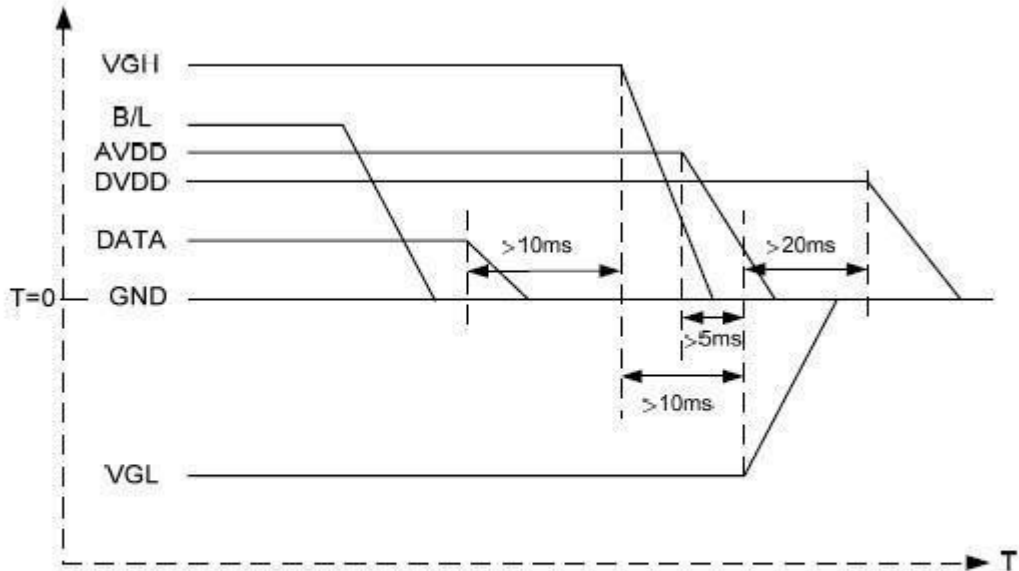
9.5. Power Sequence

a. Power on:





b. Power off:



B/L → Data → VGHI → AVDD → VGL → DV_{DD}

Note: Data include R0~R7, B0~B7, G0~G7, U/D, L/R, DCLK, HS, VS, DE.

10. Quality Assurance

10.1 Purpose

This standard for Quality Assurance assures the quality of LCD module products supplied to customer.

10.2 Standard for Quality Test

10.2.1 Sampling Plan:

GB2828.1-2012.

Single sampling, normal inspection.

10.2.2 Sampling Criteria:

Visual inspection: AQL 1.5%

Electrical functional: AQL 0.65%.

10.2.3 Reliability Test:

Detailed requirements refer to Reliability Test Specification.

10.3 Nonconforming Analysis & Disposition

10.3.1 Nonconforming analysis:

10.3.1.1 Customer should provide overall information of non-conforming sample for their complaints.

10.3.1.2 After receipt of detailed information from customer, the analysis of nonconforming parts usually should be finished in one week.

10.3.1.3 If cannot finish the analysis on time, customer will be notified with the progress status.

10.3.2 Disposition of nonconforming:

10.3.2.1 Non-conforming product over PPM level will be replaced.



10.3.2.2 The cause of non-conformance will be analyzed. Corrective action will be discussed and implemented.

10.4 Agreement Items

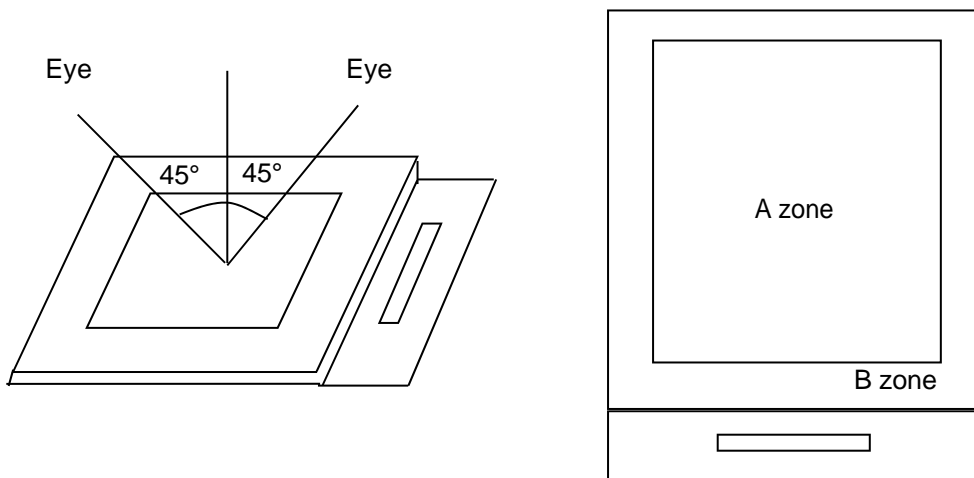
Shall negotiate with customer if the following situation occurs:

- 10.4.1 There is any discrepancy in standard of quality assurance.
- 10.4.2 Additional requirement to be added in product specification.
- 10.4.3 Any other special problem.

10.5 Standard of the Product Visual Inspection

10.5.1 Appearance inspection:

- 10.5.1.1 The inspection must be under illumination about 1000 – 1500 lx, and the distance of view must be at 30cm ± 2cm.
- 10.5.1.2 The viewing angle should be 45° from the vertical line without reflection light or follows customer's viewing angle specifications.
- 10.5.1.3 Definition of area: A Zone: Active Area, B Zone: Viewing Area,



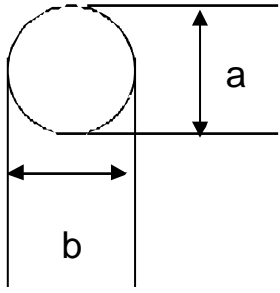
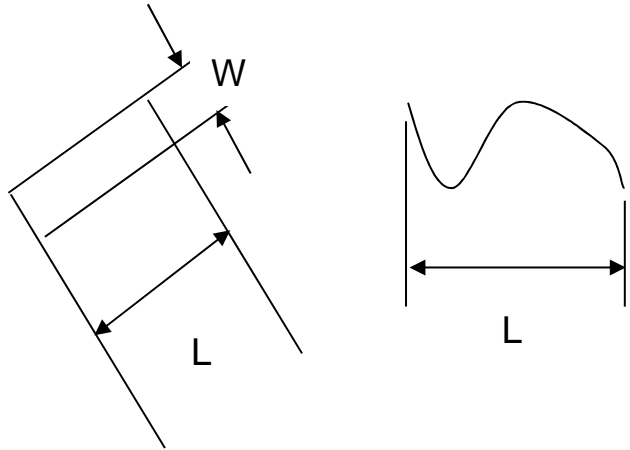
10.5.2 Basic principle:

- 10.5.2.1 A set of samples to indicate the limit of acceptable quality level must be discussed by both us and customer when there is any dispute happened.
- 10.5.2.2 New item must be added on time when it is necessary.

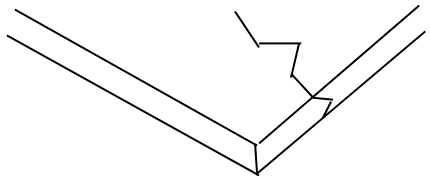
10.6 Inspection Specification

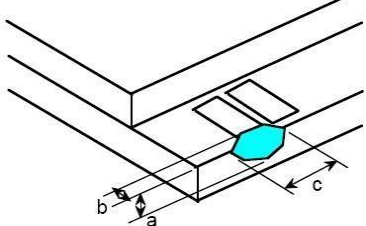
| No. | Item | Criteria (Unit: mm) |
|-----|------|---------------------|
|-----|------|---------------------|

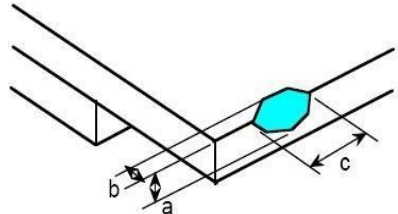


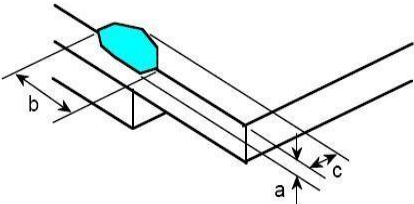
| 01 | <p>Black / White spot Foreign material (Round type) Pinholes Stain Particles inside cell. (Minor defect)</p> |  <table border="1" data-bbox="810 190 1311 407"> <thead> <tr> <th>Size</th> <th>Area</th> <th>Acc. Qty</th> </tr> </thead> <tbody> <tr> <td>$\phi \leq 0.20$</td> <td></td> <td>Ignore</td> </tr> <tr> <td>$0.20 < \phi \leq 0.50$</td> <td></td> <td>$N \leq 3$</td> </tr> <tr> <td>$0.50 < \phi$</td> <td></td> <td>0</td> </tr> </tbody> </table> <p>$\phi = (a + b) / 2$ Distance between 2 defects should more than 5mm apart.</p> | Size | Area | Acc. Qty | $\phi \leq 0.20$ | | Ignore | $0.20 < \phi \leq 0.50$ | | $N \leq 3$ | $0.50 < \phi$ | | 0 | | | | |
|-------------------------|--|---|------------|--------------|----------|------------------|--------------|------------|-------------------------|--------------------|------------|---------------|------------|------------|-------|------------------------------------|---|--------|
| Size | Area | Acc. Qty | | | | | | | | | | | | | | | | |
| $\phi \leq 0.20$ | | Ignore | | | | | | | | | | | | | | | | |
| $0.20 < \phi \leq 0.50$ | | $N \leq 3$ | | | | | | | | | | | | | | | | |
| $0.50 < \phi$ | | 0 | | | | | | | | | | | | | | | | |
| 02 | <p>Electrical Defect (Minor defect)</p> | <table border="1" data-bbox="466 604 1297 862"> <thead> <tr> <th rowspan="2">Bright dot</th> <th>Display Area</th> <th>Total</th> <th rowspan="3">Note 1</th> </tr> </thead> <tbody> <tr> <td>$N \leq 2$</td> <td>$N \leq 2$</td> </tr> <tr> <th>Dark dot</th> <td>$N \leq 4$</td> <td>$N \leq 4$</td> </tr> <tr> <th>Total dot</th> <td>$N \leq 4$</td> <td>$N \leq 4$</td> </tr> <tr> <th>Mura</th> <td colspan="2">Not visible through 5% ND filters.</td> <td>Note 2</td> </tr> </tbody> </table> <p>Remark: 1. Bright dot caused by scratch and foreign object accords to item 1.</p> | Bright dot | Display Area | Total | Note 1 | $N \leq 2$ | $N \leq 2$ | Dark dot | $N \leq 4$ | $N \leq 4$ | Total dot | $N \leq 4$ | $N \leq 4$ | Mura | Not visible through 5% ND filters. | | Note 2 |
| Bright dot | Display Area | Total | | Note 1 | | | | | | | | | | | | | | |
| | $N \leq 2$ | $N \leq 2$ | | | | | | | | | | | | | | | | |
| Dark dot | $N \leq 4$ | $N \leq 4$ | | | | | | | | | | | | | | | | |
| Total dot | $N \leq 4$ | $N \leq 4$ | | | | | | | | | | | | | | | | |
| Mura | Not visible through 5% ND filters. | | Note 2 | | | | | | | | | | | | | | | |
| 03 | <p>Black and White line Scratch Foreign material (Line type) (Minor defect)</p> |  <table border="1" data-bbox="523 1512 1149 1774"> <thead> <tr> <th>Length</th> <th>Width</th> <th>Acc. Qty</th> </tr> </thead> <tbody> <tr> <td>/</td> <td>$W \leq 0.1$</td> <td>Ignore</td> </tr> <tr> <td>$L \leq 2.5$</td> <td>$0.1 < W \leq 0.2$</td> <td>3</td> </tr> <tr> <td>$L > 2.5$</td> <td>$0.2 < W$</td> <td>0</td> </tr> <tr> <td colspan="2">Total</td> <td>3</td> </tr> </tbody> </table> <p>Distance between 2 defects should more than 3mm apart. Scratches not viewable through the back of the display are acceptable.</p> | Length | Width | Acc. Qty | / | $W \leq 0.1$ | Ignore | $L \leq 2.5$ | $0.1 < W \leq 0.2$ | 3 | $L > 2.5$ | $0.2 < W$ | 0 | Total | | 3 | |
| Length | Width | Acc. Qty | | | | | | | | | | | | | | | | |
| / | $W \leq 0.1$ | Ignore | | | | | | | | | | | | | | | | |
| $L \leq 2.5$ | $0.1 < W \leq 0.2$ | 3 | | | | | | | | | | | | | | | | |
| $L > 2.5$ | $0.2 < W$ | 0 | | | | | | | | | | | | | | | | |
| Total | | 3 | | | | | | | | | | | | | | | | |

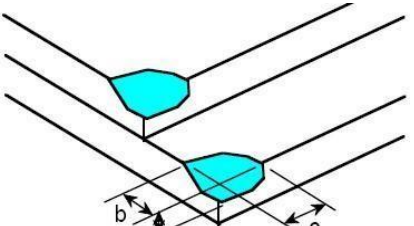


| | | |
|----|-------------------------------|--|
| 04 | Glass Crack (Minor defect) |  <p>Crack is potential to enlarge, any type is not allowed.</p> |
|----|-------------------------------|--|

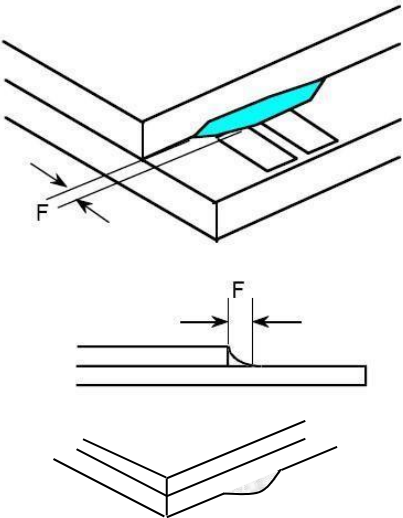
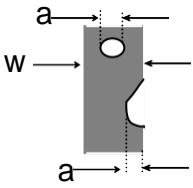
| 05 | Glass Chipping Pad Area: (Minor defect) |  <table border="1" data-bbox="774 649 1244 817"> <thead> <tr> <th>Length and Width</th> <th>Acc. Qty</th> </tr> </thead> <tbody> <tr> <td>$c > 3.0, b < 1.0$</td> <td>1</td> </tr> <tr> <td>$c < 3.0, b < 1.0$</td> <td>3</td> </tr> <tr> <td colspan="2">$a < \text{Glass Thickness}$</td> </tr> </tbody> </table> | Length and Width | Acc. Qty | $c > 3.0, b < 1.0$ | 1 | $c < 3.0, b < 1.0$ | 3 | $a < \text{Glass Thickness}$ | |
|------------------------------|--|--|------------------|----------|--------------------|---|--------------------|---|------------------------------|--|
| Length and Width | Acc. Qty | | | | | | | | | |
| $c > 3.0, b < 1.0$ | 1 | | | | | | | | | |
| $c < 3.0, b < 1.0$ | 3 | | | | | | | | | |
| $a < \text{Glass Thickness}$ | | | | | | | | | | |

| 06 | Glass Chipping Rear of Pad Area: (Minor defect) |  <table border="1" data-bbox="774 1041 1244 1254"> <thead> <tr> <th>Length and Width</th> <th>Acc. Qty</th> </tr> </thead> <tbody> <tr> <td>$c > 3.0, b < 1.0$</td> <td>1</td> </tr> <tr> <td>$c < 3.0, b < 1.0$</td> <td>2</td> </tr> <tr> <td>$c < 3.0, b < 0.5$</td> <td>4</td> </tr> <tr> <td colspan="2">$a < \text{Glass Thickness}$</td> </tr> </tbody> </table> | Length and Width | Acc. Qty | $c > 3.0, b < 1.0$ | 1 | $c < 3.0, b < 1.0$ | 2 | $c < 3.0, b < 0.5$ | 4 | $a < \text{Glass Thickness}$ | |
|------------------------------|--|---|------------------|----------|--------------------|---|--------------------|---|--------------------|---|------------------------------|--|
| Length and Width | Acc. Qty | | | | | | | | | | | |
| $c > 3.0, b < 1.0$ | 1 | | | | | | | | | | | |
| $c < 3.0, b < 1.0$ | 2 | | | | | | | | | | | |
| $c < 3.0, b < 0.5$ | 4 | | | | | | | | | | | |
| $a < \text{Glass Thickness}$ | | | | | | | | | | | | |

| 07 | Glass Chipping Except Pad Area: (Minor defect) |  <table border="1" data-bbox="774 1411 1244 1624"> <thead> <tr> <th>Length and Width</th> <th>Acc. Qty</th> </tr> </thead> <tbody> <tr> <td>$c > 3.0, b < 1.0$</td> <td>1</td> </tr> <tr> <td>$c < 3.0, b < 1.0$</td> <td>2</td> </tr> <tr> <td>$c < 3.0, b < 0.5$</td> <td>4</td> </tr> <tr> <td colspan="2">$a < \text{Glass Thickness}$</td> </tr> </tbody> </table> | Length and Width | Acc. Qty | $c > 3.0, b < 1.0$ | 1 | $c < 3.0, b < 1.0$ | 2 | $c < 3.0, b < 0.5$ | 4 | $a < \text{Glass Thickness}$ | |
|------------------------------|---|---|------------------|----------|--------------------|---|--------------------|---|--------------------|---|------------------------------|--|
| Length and Width | Acc. Qty | | | | | | | | | | | |
| $c > 3.0, b < 1.0$ | 1 | | | | | | | | | | | |
| $c < 3.0, b < 1.0$ | 2 | | | | | | | | | | | |
| $c < 3.0, b < 0.5$ | 4 | | | | | | | | | | | |
| $a < \text{Glass Thickness}$ | | | | | | | | | | | | |

| 08 | Glass Corner Chipping: (Minor defect) |  <table border="1" data-bbox="774 1780 1244 1915"> <thead> <tr> <th>Length and Width</th> <th>Acc. Qty</th> </tr> </thead> <tbody> <tr> <td>$c < 3.0, b < 3.0$</td> <td>Ignore</td> </tr> <tr> <td colspan="2">$a < \text{Glass Thickness}$</td> </tr> </tbody> </table> | Length and Width | Acc. Qty | $c < 3.0, b < 3.0$ | Ignore | $a < \text{Glass Thickness}$ | |
|------------------------------|--|--|------------------|----------|--------------------|--------|------------------------------|--|
| Length and Width | Acc. Qty | | | | | | | |
| $c < 3.0, b < 3.0$ | Ignore | | | | | | | |
| $a < \text{Glass Thickness}$ | | | | | | | | |



| 09 | <p>Glass Burr: (Minor defect)</p>  | <table border="1" data-bbox="775 235 1246 322"> <thead> <tr> <th>Length</th> <th>Acc. Qty</th> </tr> </thead> <tbody> <tr> <td>$F < 1.0$</td> <td>Ignore</td> </tr> </tbody> </table> <p>Glass burr don't affect assemble and module dimension.</p> | Length | Acc. Qty | $F < 1.0$ | Ignore | | | | |
|----------------------------|--|---|----------|----------|---------------------|--------|----------------------------|------------|------------------|---------|
| Length | Acc. Qty | | | | | | | | | |
| $F < 1.0$ | Ignore | | | | | | | | | |
| 10 | <p>FPC Defect: (Minor defect)</p>  | <p>10.1 Dent, pinhole width $a < w/3$. (w: circuitry width.)</p> <p>10.2 Open circuit is unacceptable.</p> <p>10.3 No oxidation, contamination and distortion.</p> | | | | | | | | |
| 11 | <p>Bubble on Polarizer (Minor defect)</p> | <table border="1" data-bbox="651 1200 1121 1373"> <thead> <tr> <th>Diameter</th> <th>Acc. Qty</th> </tr> </thead> <tbody> <tr> <td>$\varphi \leq 0.30$</td> <td>Ignore</td> </tr> <tr> <td>$0.30 < \varphi \leq 0.50$</td> <td>$N \leq 2$</td> </tr> <tr> <td>$0.50 < \varphi$</td> <td>$N = 0$</td> </tr> </tbody> </table> | Diameter | Acc. Qty | $\varphi \leq 0.30$ | Ignore | $0.30 < \varphi \leq 0.50$ | $N \leq 2$ | $0.50 < \varphi$ | $N = 0$ |
| Diameter | Acc. Qty | | | | | | | | | |
| $\varphi \leq 0.30$ | Ignore | | | | | | | | | |
| $0.30 < \varphi \leq 0.50$ | $N \leq 2$ | | | | | | | | | |
| $0.50 < \varphi$ | $N = 0$ | | | | | | | | | |
| 12 | <p>Dent on Polarizer (Minor defect)</p> | <table border="1" data-bbox="651 1440 1121 1612"> <thead> <tr> <th>Diameter</th> <th>Acc. Qty</th> </tr> </thead> <tbody> <tr> <td>$\varphi \leq 0.25$</td> <td>Ignore</td> </tr> <tr> <td>$0.25 < \varphi \leq 0.50$</td> <td>$N \leq 4$</td> </tr> <tr> <td>$0.50 < \varphi$</td> <td>None</td> </tr> </tbody> </table> | Diameter | Acc. Qty | $\varphi \leq 0.25$ | Ignore | $0.25 < \varphi \leq 0.50$ | $N \leq 4$ | $0.50 < \varphi$ | None |
| Diameter | Acc. Qty | | | | | | | | | |
| $\varphi \leq 0.25$ | Ignore | | | | | | | | | |
| $0.25 < \varphi \leq 0.50$ | $N \leq 4$ | | | | | | | | | |
| $0.50 < \varphi$ | None | | | | | | | | | |
| 13 | <p>Bezel</p> | <p>13.1 No rust, distortion on the Bezel.</p> <p>13.2 No visible fingerprints, stains or other contamination.</p> | | | | | | | | |



| | | |
|----|-------------------------------------|---|
| 14 | Touch Panel | <p>D: Diameter W: width L: length</p> <p>14.1 Spot: $D < 0.25$ is acceptable $0.25 \leq D \leq 0.4$</p> <p>2dots are acceptable and the distance between defects should more than 10 mm.</p> <p>$D > 0.4$ is unacceptable</p> <p>14.2 Dent: $D > 0.40$ is unacceptable</p> <p>14.3 Scratch: $W \leq 0.03$, $L \leq 10$ is acceptable, $0.03 < W \leq 0.10$, $L \leq 10$ is acceptable</p> <p>Distance between 2 defects should more than 10 mm. $W > 0.10$ is unacceptable.</p> |
| 15 | PCB | <p>15.1 No distortion or contamination on PCB terminals.</p> <p>15.2 All components on PCB must same as documented on the BOM/component layout.</p> <p>15.3 Follow IPC-A-600F.</p> |
| 16 | Soldering | Follow IPC-A-610C standard |
| 17 | Electrical Defect (Major defect) | <p>The below defects must be rejected.</p> <p>17.1 Missing vertical / horizontal segment,</p> <p>17.2 Abnormal Display.</p> <p>17.3 No function or no display.</p> <p>17.4 Current exceeds product specifications.</p> <p>17.5 LCD viewing angle defect.</p> <p>17.6 No Backlight.</p> <p>17.7 Dark Backlight.</p> <p>17.8 Touch Panel no function.</p> |

Remark: LCD Panel Broken shall be rejected. Defect out of LCD viewing area is acceptable.

10.7 Classification of Defects

- 10.7.1 Visual defects (Except no / wrong label) are treated as minor defect and electrical defect is major.
- 10.7.2 Two minor defects are equal to one major in lot sampling inspection.

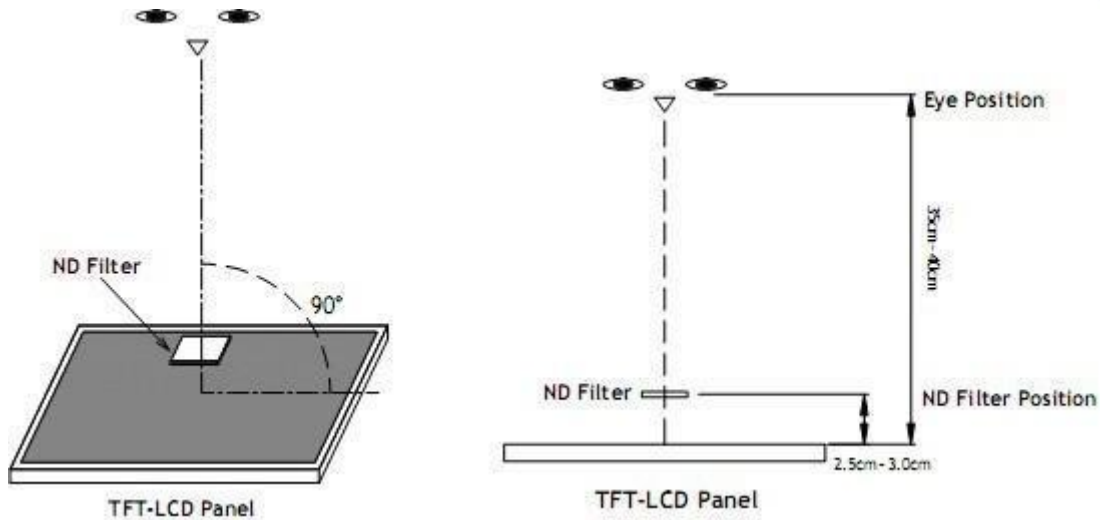
10.8 Identification/marketing criteria

Any unit with illegible / wrong /double or no marking/ label shall be rejected.

10.9 Packing

- 10.9.1 There should be no damage of the outside carton box, each packaging box should have one identical label.
- 10.9.2 Modules inside package box should have compliant mark.
- 10.9.3 All direct package materials shall offer ESD protection

Note1: Bright dot is defined as the defective area of the dot is larger than 50% of one sub-pixel area.



Bright dot: The bright dot size defect at black display pattern. It can be recognized by 2% transparency of filter when the distance between eyes and panel is $350\text{mm} \pm 50\text{mm}$.

Dark dot: cyan, magenta or yellow dot size defect at white display pattern. It can be recognized by 5% transparency of filter when the distance between eyes and panel is $350\text{mm} \pm 50\text{mm}$.

Note2: Mura on display which appears darker/brighter against background brightness on parts of display area.

11. Reliability Specification

| No | Item | Condition | Quantity | Criteria |
|----|-----------------------------|--|----------|------------------|
| 1 | High Temperature Operating | 70°C, 96Hrs | 2 | GB/T2423.2-2008 |
| 2 | Low Temperature Operating | -20°C, 96Hrs | 2 | GB/T2423.1-2008 |
| 3 | High Humidity | 50°C, 90%RH, 96Hrs | 2 | GB/T2423.3-2006 |
| 4 | High Temperature Storage | 80°C, 96Hrs | 2 | GB/T2423.2-2008 |
| 5 | Low Temperature Storage | -30°C, 96Hrs | 2 | GB/T2423.1-2008 |
| 6 | Thermal Cycling Test | -30°C, 60min~80°C, 60min, 20 cycles. | 2 | GB/T2423.22-2012 |
| 7 | Packing Vibration | Frequency range:10Hz~50Hz Acceleration of gravity:5G X, Y, Z 30 min for each direction. | 2 | GB/T5170.14-2009 |
| 8 | Electrical Static Discharge | Air: $\pm 8\text{KV}$ 150pF/330 Ω 5 times Contact: $\pm 4\text{KV}$ 150pF/330 Ω 5 times | 2 | GB/T17626.2-2006 |
| 9 | Drop Test (Packaged) | Height:80 cm,1 corner, 3 edges, 6 surfaces. | 2 | GB/T2423.8-1995 |

Note1. No deflection cosmetic and operational function allowable.

Note2. Total current Consumption should be below double of initial value



12. Precautions and Warranty

12.1. Safety

12.1.1 The liquid crystal in the LCD is poisonous. Do not put it in your mouth. If the liquid crystal touches your skin or clothes, wash it off immediately using soap and water.

12.1.2 Since the liquid crystal cells are made of glass, do not apply strong impact on them. Handle with care.

12.2. Handling

12.2.1 Reverse and use within ratings in order to keep performance and prevent damage.

12.2.2 Do not wipe the polarizer with dry cloth, as it might cause scratch. If the surface of the LCD needs to be cleaned, wipe it swiftly with cotton or other soft cloth soaked with petroleum IPA, do not use other chemicals.

12.3. Storage

12.3.1. Do not store the LCD module beyond the specified temperature ranges.

12.3.2. Strong light exposure causes degradation of polarizer and color filter

12.4. Metal Pin (Apply to Products with Metal Pins)

12.4.1 Pins of LCD and Backlight

12.4.1.1 Solder tip can touch and press on the tip of Pin LEAD during the soldering

12.4.1.2 Recommended Soldering Conditions

Solder Type: Sn96.3~94-Ag3.3~4.3-Cu0.4~1.1

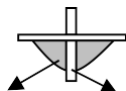
Maximum Solder Temperature: 370°C

Maximum Solder Time: 3s at the maximum temperature

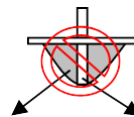
Recommended Soldering Temp: 350±20°C

Typical Soldering Time: ≤3s

12.4.1.3 Solder Wetting



Solder
Pin Lead
Solder
Pin Lead



Solder
Pin Lead
Solder
Pin Lead
Not Recommended

Solder
Pin Lead
Recommended

12.4.2 Pins of EL

12.4.1.1 Solder tip can touch and press on the tip of EL leads during soldering.

12.4.1.2 No Solder Paste on the soldering pad on the motherboard is recommended.

12.4.1.3 Recommended Soldering Conditions

Solder type: Nippon Alimit Leadfree SR-34, size 0.5mm

Recommended Solder Temperature: 270~290°C

Typical Soldering Time: ≤2s

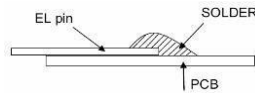
Minimum solder distance from EL lamp (body):2.0mm

12.4.1.4 No horizontal press on the EL leads during soldering.

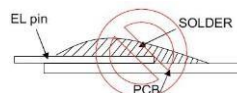
12.4.1.5 180° bend EL leads three times is not allowed.



12.4.1.6 Solder Wetting

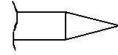


Recommended

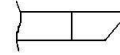


Not Recommended

12.4.1.7 The type of the solder iron:

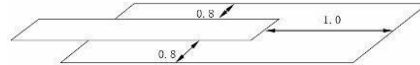


Recommended



Not Recommended

12.4.1.8 Solder Pad



12.5. Operation

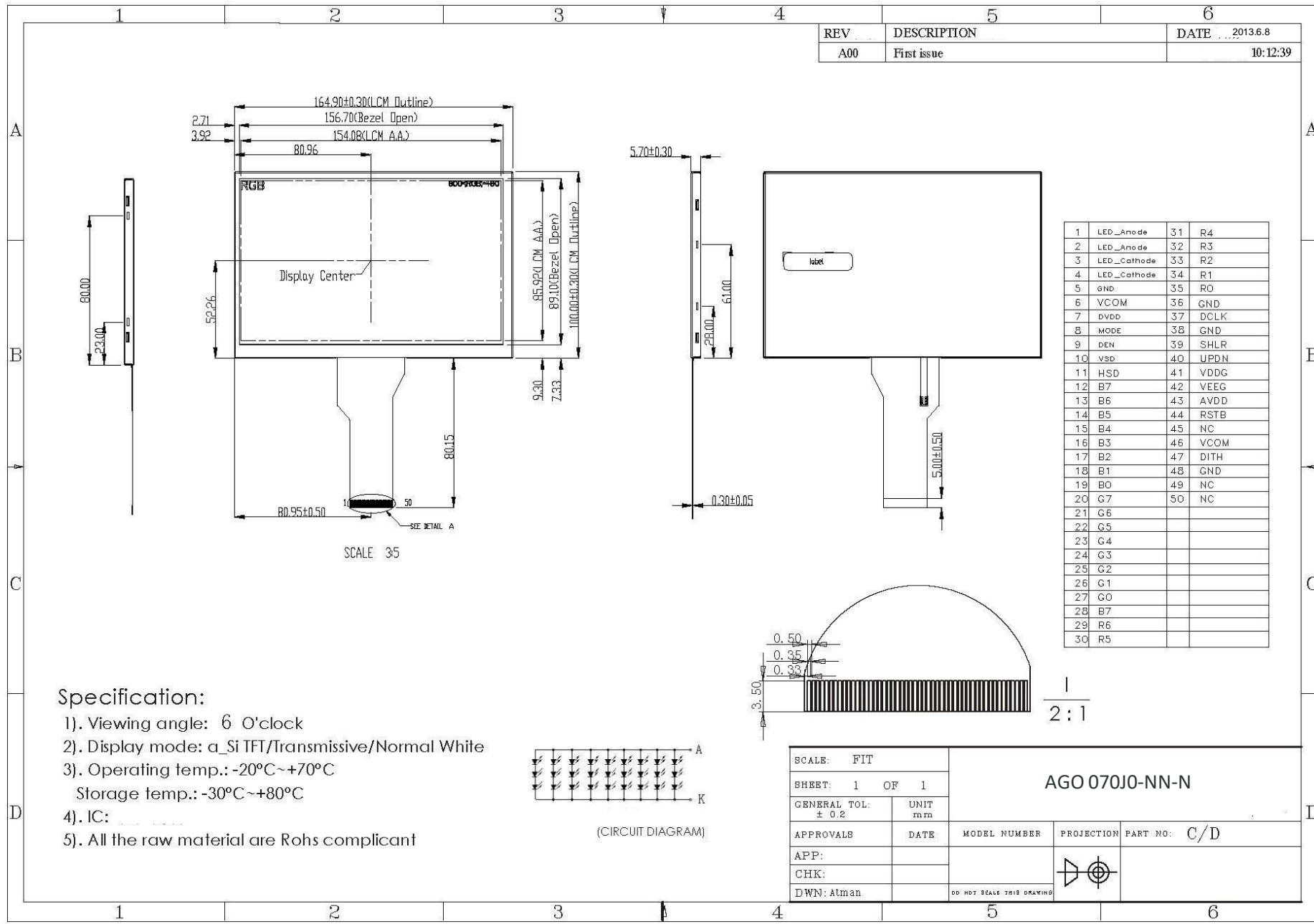
- 12.5.1. Do not drive LCD with DC voltage
- 12.5.2. Response time will increase below lower temperature
- 12.5.3. Display may change color with different temperature
- 12.5.4. Mechanical disturbance during operation, such as pressing on the display area, may cause the segments to appear "fractured".
- 12.5.5. Do not connect or disconnect the LCM to or from the system when power is on.
- 12.5.6. Never use the LCM under abnormal condition of high temperature and high humidity.
- 12.5.7. Module has high frequency circuits. Sufficient suppression to the electromagnetic interface shall be done by system manufacturers. Grounding and shielding methods may be important to minimize the interference.
- 12.5.8. Do not display the fixed pattern for long time (we suggest the time not longer than one hour) because it may develop image sticking due to the TFT structure.

12.6. Static Electricity

- 12.6.1. CMOS LSIs are equipped in this unit, so care must be taken to avoid the electro-static charge, by ground human body, etc.
- 12.6.2. The normal static prevention measures should be observed for work clothes and benches.
- 12.6.3. The module should be kept into anti-static bags or other containers resistant to static for storage.

12.7. Limited Warranty

- 12.7.1. Our warranty liability is limited to repair and/or replacement. We will not be responsible for any consequential loss.
- 12.7.2. If possible, we suggest customer to use up all modules in six months. If the module storage time over twelve months, we suggest that recheck it before the module be used
- 12.7.3. After the product shipped, any product quality issues must be feedback within three months, otherwise, we will not be responsible for the subsequent or consequential events.



| REV | DESCRIPTION | DATE |
|-----|-------------|----------------------|
| A00 | First issue | 2013.6.8 10:12:39 |

| | | | |
|----|-------------|----|------|
| 1 | LED_Anode | 31 | R4 |
| 2 | LED_Anode | 32 | R3 |
| 3 | LED_Cathode | 33 | R2 |
| 4 | LED_Cathode | 34 | R1 |
| 5 | GND | 35 | RO |
| 6 | VCOM | 36 | GND |
| 7 | DVDD | 37 | DCLK |
| 8 | MODE | 38 | GND |
| 9 | DEN | 39 | SHLR |
| 10 | YSD | 40 | UPDN |
| 11 | HSD | 41 | VDDG |
| 12 | B7 | 42 | VEEG |
| 13 | B6 | 43 | AVDD |
| 14 | B5 | 44 | RSTB |
| 15 | B4 | 45 | NC |
| 16 | B3 | 46 | VCOM |
| 17 | B2 | 47 | DITH |
| 18 | B1 | 48 | GND |
| 19 | B0 | 49 | NC |
| 20 | G7 | 50 | NC |
| 21 | G6 | | |
| 22 | G5 | | |
| 23 | G4 | | |
| 24 | G3 | | |
| 25 | G2 | | |
| 26 | G1 | | |
| 27 | G0 | | |
| 28 | B7 | | |
| 29 | R6 | | |
| 30 | R5 | | |

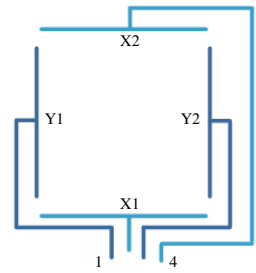
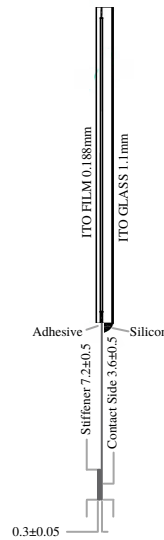
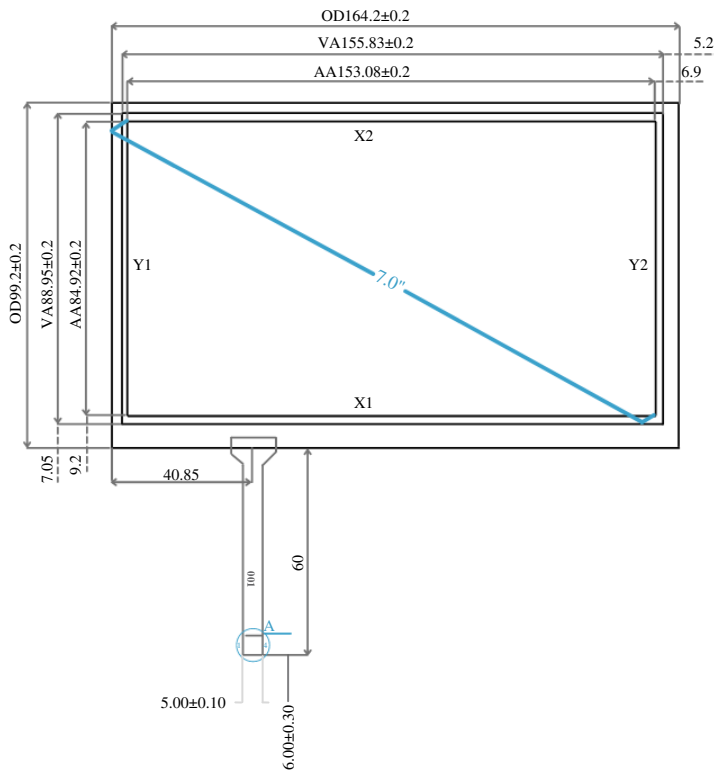
- Specification:**
- 1). Viewing angle: 6 O'clock
 - 2). Display mode: a_Si TFT/Transmissive/Normal White
 - 3). Operating temp.: -20°C~+70°C
Storage temp.: -30°C~+80°C
 - 4). IC: _____
 - 5). All the raw material are Rohs compllicant

| | | | |
|-----------------------|---------------------------|----------------|------------|
| SCALE: FIT | | AGO 070J0-NN-N | |
| SHEET: 1 OF 1 | | | |
| GENERAL TOL: ± 0.2 | UNIT mm | APPROVALS | DATE |
| APP: | | MODEL NUMBER | PROJECTION |
| CHK: | | PART NO: C/D | |
| DWN: Atman | DO NOT SCALE THIS DRAWING | | |

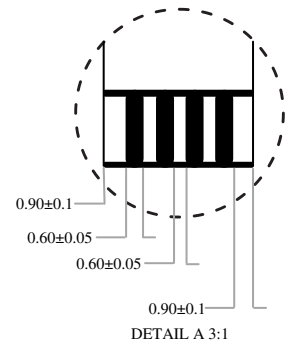






| REV | MARK | HISTORY | DATE | NAME |
|-----|------|---------|------|------|
|-----|------|---------|------|------|



| PIN | WIRING |
|-----|--------|
| 1 | Y1 |
| 2 | X1 |
| 3 | Y2 |
| 4 | X2 |



- NOTES:
1. ITO Film: Clear hard coating & anti-Newton Ring
 2. Tail Type: FPC by Golden Plated
 3. Transparency: $\geq 78\%$
 4. Linearity: $\leq 1.2\%$
 5. Surface Hardness: $\geq 3H$
 6. Terminal Resistance: (1) TOP: 400-1000
(2) Bottom: 150-600
 7. Operation Temperature: $-20^{\circ}\text{C} \sim +70^{\circ}\text{C}$
Storage Temperature: $-30^{\circ}\text{C} \sim +80^{\circ}\text{C}$
 8. All materials in the drawing comply with the ROHS

| | | | |
|----------------------------------|--|---|-----------------|
| Unspecified Tolerance ± 0.20 | | AGT-070J0-01 | VERSION: |
| Designed by: | | | N. 1 OF 1 |
| Checked by: | |   | UNIT: MM |
| | | | DATE: 2018-2-24 |