



AGTechnologies

**SPECIFICATION
FOR
LCM MODULE**

AGM 1602F-802

DOCUMENT REVISION HISTORY

Version	DATE	DESCRIPTION	CHANGED BY
00	AUG-06-2011	First issue	

CONTENTS

1. Functions & Features	1
2. Mechanical specifications	1
3. Block diagram	1
4. Dimensional Outline	2
5. Pin description	3
6. Maximum absolute limit	3
7. Electrical characteristics	4~6
8. Electro-Optical characteristics	6~7
9. Backlight Characteristics	7
10. Control and display command	8
11. Font characteristic	9
12. Precaution for using LCD/LCM	10~11
13. LCM test criteria	12~21

1. FUNCTIONS & FEATURES

- 1.1. Format : 16x2 characters
- 1.2. LCD mode : STN/Negative/Transmissive/Blue
- 1.3. Viewing direction : 6 O'clock
- 1.4. Driving scheme : 1/16 Duty cycle, 1/5 Bias
- 1.5. Power supply voltage (V_{DD}) : 5.0V
- 1.6. LCD driving voltage : 4.5V (Reference voltage)
- 1.7. Operation temp : -20~70°C
- 1.8. Storage temp : -30~80°C
- 1.9. Backlight color : Edge,white
- 1.10. RoHS Standard

2. MECHANICAL SPECIFICATIONS

- 2.1. Module size : 81.6mm(L)*36.0mm(W)*10.0mm (H) max
- 2.2. Viewing area : 64.0mm(L)*16.0mm(W)
- 2.3. Character pitch : 3.55mm(L)*5.94mm(W)
- 2.4. Character size : 2.96mm(L)*5.56mm(W)
- 2.5. Dot pitch : 0.60mm(L)*0.70mm(W)
- 2.6. Dot size : 0.56mm(L)*0.66mm(W)
- 2.7. Weight : Approx.

3. BLOCK DIAGRAM

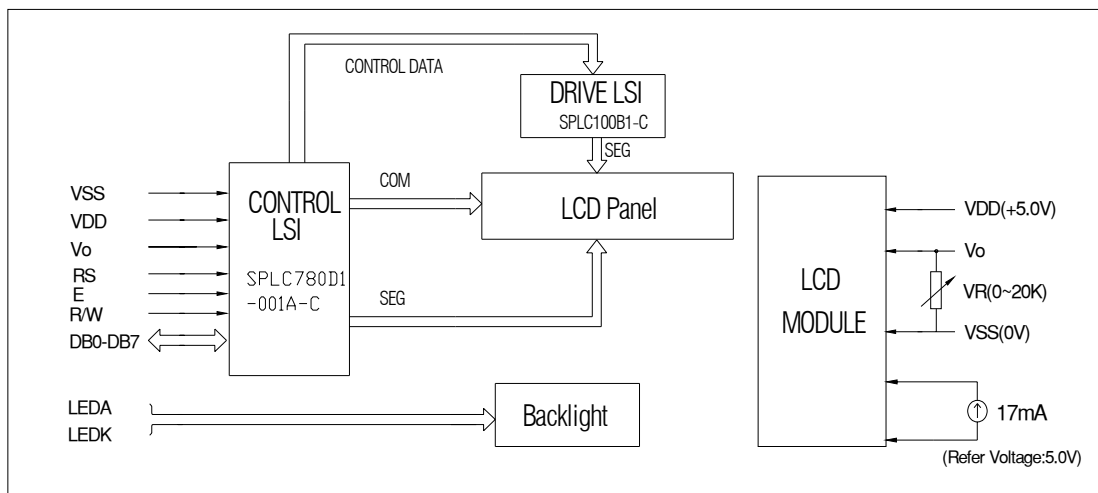


Figure 1. Block Diagram

4. DIMENSIONAL OUTLINE

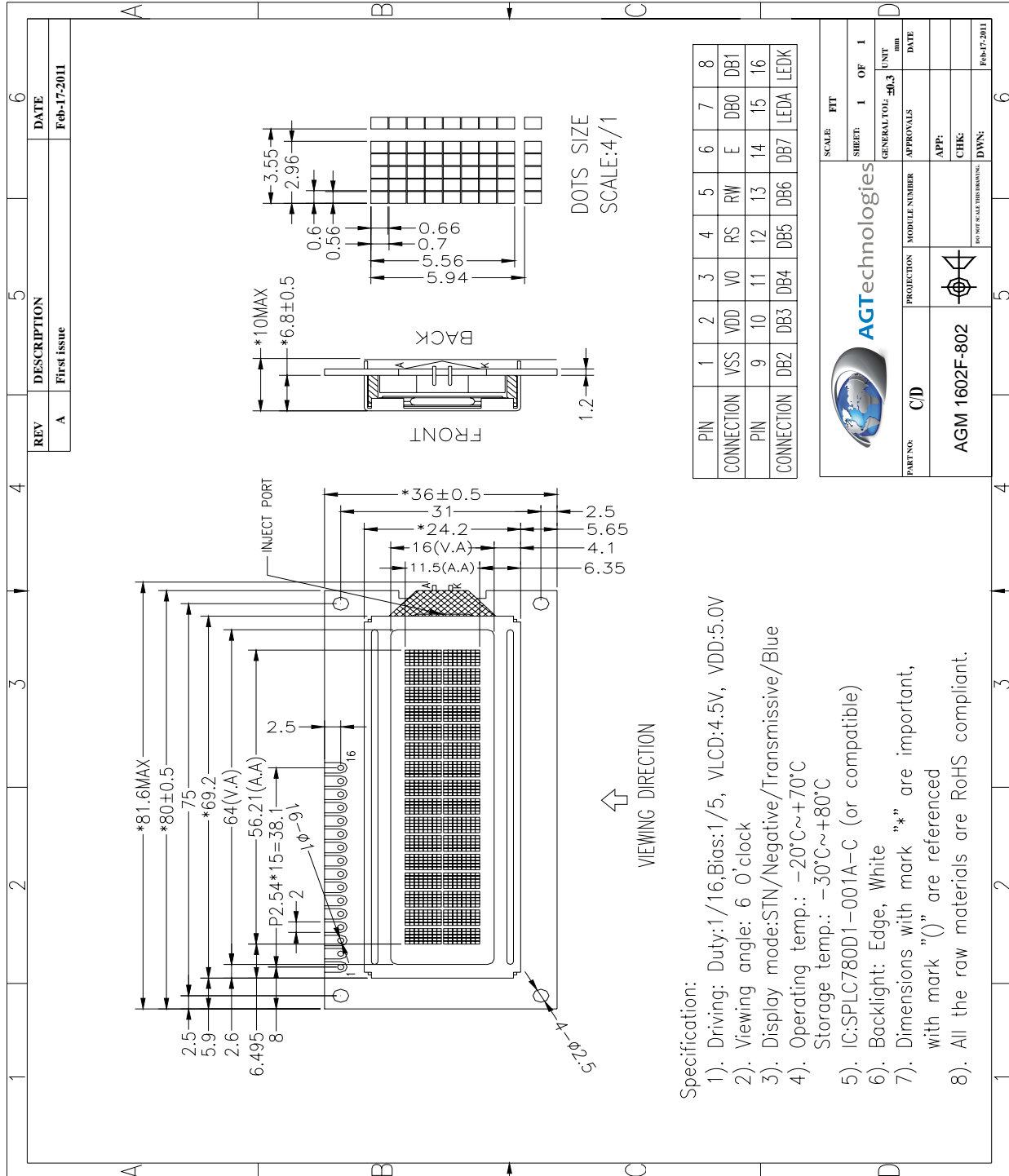


Figure 2. Dimensional Outline

5. PIN DESCRIPTION

No.	Symbol	Function
1	VSS	GND(0V)
2	VDD	Power supply(+5.0V)
3	V0	Supply voltage for LCD
4	RS	Register selection. (H: Data register L: Instruction register)
5	R/W	Read /write selection. (H: Read L: write)
6	E	Enable signal for chip
7~14	DB0~DB7	Data bus line
15	LEDA	Power supply for backlight (Current 17mA, Refer Voltaeg:5.0V)
16	LEDK	Power supply for backlight(-)

6. MAXIMUM ABSOLUTE LIMIT

Item	Symbol	MIN	MAX	Unit
Supply Voltage for Logic	V _{DD}	-0.3	7.0	V
Supply Voltage for LCD	V ₀	V _{DD} -10.0	V _{DD} +0.3	V
Input Voltage	V _{in}	-0.3	V _{DD} +0.3	V
Supply Current for Backlight	I _F (Ta = 25°C)	---	25	mA
Reverse Voltage for Backlight	V _R (Ta = 25°C)	---	5.0	V
Operating Temperature	T _{op}	-20	70	°C
Storage Temperature	T _{st}	-30	80	°C

7. ELECTRICAL CHARACTERISTICS

7.1 DC characteristics (VDD=4.5V-5.5V, TA=25°C)

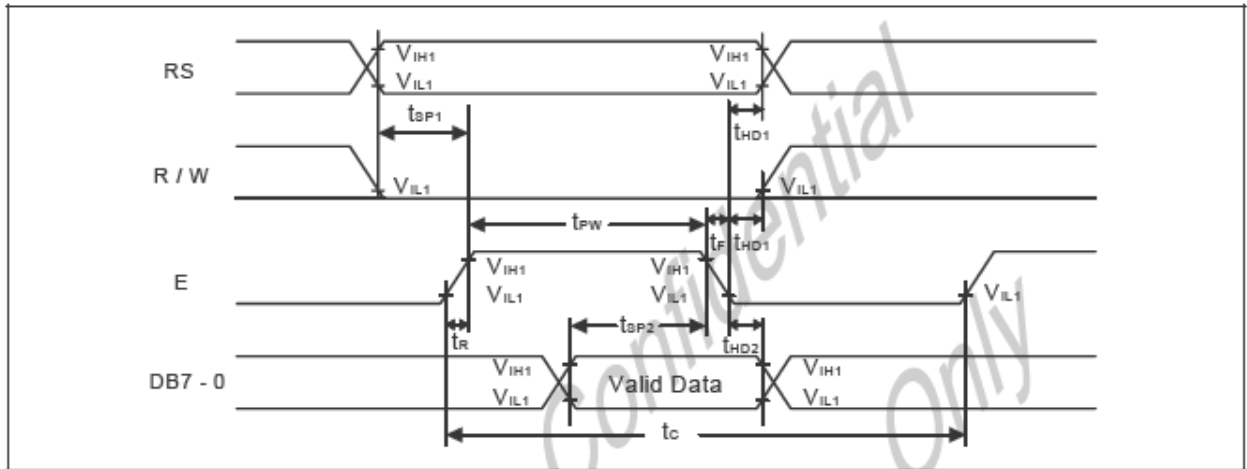
Characteristics	Symbol	Limit			Unit	Test Condition
		Min.	Typ.	Max.		
Operating Current	I _{DD}	-	0.55	0.8	mA	External clock (Note)
Input High Voltage	V _{IH1}	2.5	-	VDD	V	Pins:(E, RS, R/W, DB0 - DB7)
Input Low Voltage	V _{IL1}	-0.3	-	0.6	V	VDD=5V
Input High Voltage	V _{IH2}	VDD-1	-	VDD	V	Pin OSC1
Input Low Voltage	V _{IL2}	-0.2	-	1.0	V	Pin OSC1
Input High Current	I _{IH}	-2.0	-	2.0	μA	Pins: (RS, R/W, DB0 - DB7)
Input Low Current	I _{IL}	-20	-125	-250	μA	VDD = 5.0V
Output High Voltage (TTL)	V _{OH1}	2.4	-	VDD	V	I _{OH} = - 0.1mA Pins: DB0 - DB7
Output Low Voltage (TTL)	V _{OL1}	-	-	0.4	V	I _{OL} = 0.1mA Pins: DB0 - DB7
Output High Voltage (CMOS)	V _{OH2}	0.9VDD	-	VDD	V	I _{OH} = - 40μA, Pins: CL1, CL2, M, D
Output Low Voltage (CMOS)	V _{OL2}	-	-	0.1VDD	V	I _{OL} = 40μA, Pins: CL1, CL2, M, D
Driver ON Resistance (COM)	R _{COM}	-	-	20	KΩ	I _O = ±50μA, V _{LCD} = 4.0V Pins: COM1 - COM16
Driver ON Resistance (SEG)	R _{SEG}	-	-	30	KΩ	I _O = ±50μA, V _{LCD} = 4.0V Pins: SEG1 - SEG40
LCD Voltage	V _{LCD}	3.0	-	8	V	VDD-V5, 1/4 bias or 1/5 bias

Note: F_{max} = 250KHz. VDD = 5.0V. pin E = "L". RS, R/W, DB0 - DB7 are open. all outputs are no loads.

7.2 AC characteristics(VDD=4.5V-5.5V, TA=25°C)

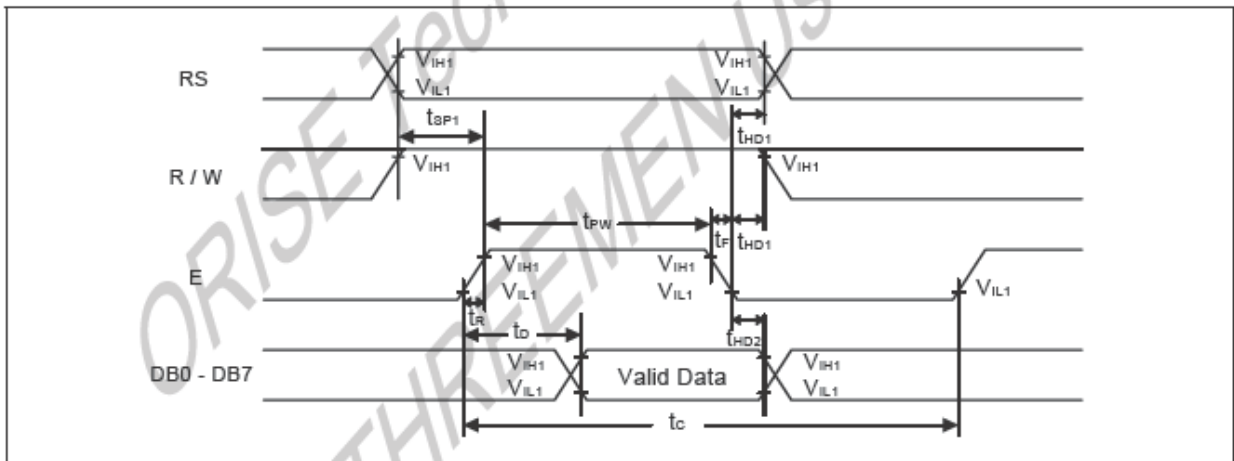
Write mode (writing data from MPU to SPLC780D1)

Characteristics	Symbol	Limit			Unit	Test Condition
		Min.	Typ.	Max.		
E Cycle Time	t _C	400	-	-	ns	Pin E
E Pulse Width	t _{PW}	150	-	-	ns	Pin E
E Rise/Fall Time	t _R , t _F	-	-	25	ns	Pin E
Address Setup Time	t _{SP1}	30	-	-	ns	Pins: RS, R/W, E
Address Hold Time	t _{HD1}	10	-	-	ns	Pins: RS, R/W, E
Data Setup Time	t _{SP2}	40	-	-	ns	Pins: DB0 - DB7
Data Hold Time	t _{HD2}	10	-	-	ns	Pins: DB0 - DB7



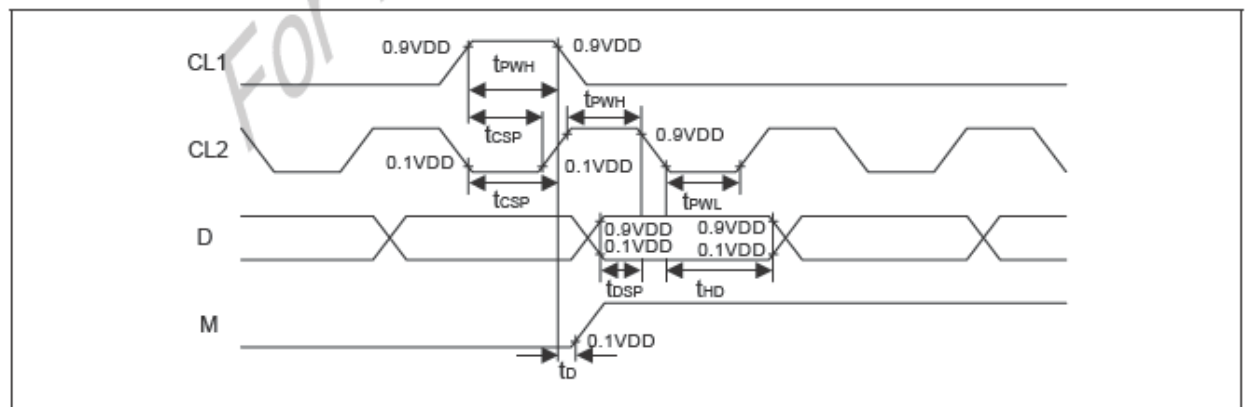
Read mode (reading data from SPLC780D1 to MPU)

Characteristics	Symbol	Limit			Unit	Test Condition
		Min.	Typ.	Max.		
E Cycle Time	t_c	400	-	-	ns	Pin E
E Pulse Width	t_{PW}	150	-	-	ns	Pin E
E Rise/Fall Time	t_R, t_F	-	-	25	ns	Pin E
Address Setup Time	t_{SP1}	30	-	-	ns	Pins: RS, R/W, E
Address Hold Time	t_{HD1}	10	-	-	ns	Pins: RS, R/W, E
Data Output Delay Time	t_D	-	-	100	ns	Pins: DB0 - DB7
Data hold time	t_{HD2}	5.0	-	-	ns	Pin DB0 - DB7



Interface mode with LCD driver

Characteristics	Symbol	Limit			Unit	Test Condition
		Min.	Typ.	Max.		
Clock pulse width high	t_{PWH}	800	-	-	ns	Pins: CL1, CL2
Clock pulse width low	t_{PWL}	800	-	-	ns	Pins: CL1, CL2
Clock setup time	t_{CSP}	500	-	-	ns	Pins: CL1, CL2
Data setup time	t_{DSP}	300	-	-	ns	Pins: D
Data hold time	t_{HD}	300	-	-	ns	Pins: D
M delay time	t_D	-1000	-	1000	ns	Pins: M

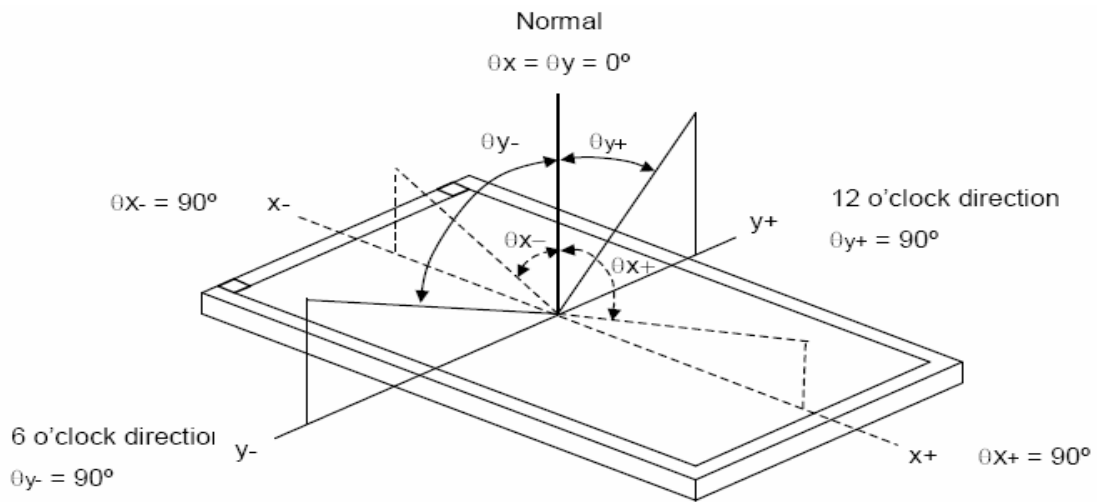
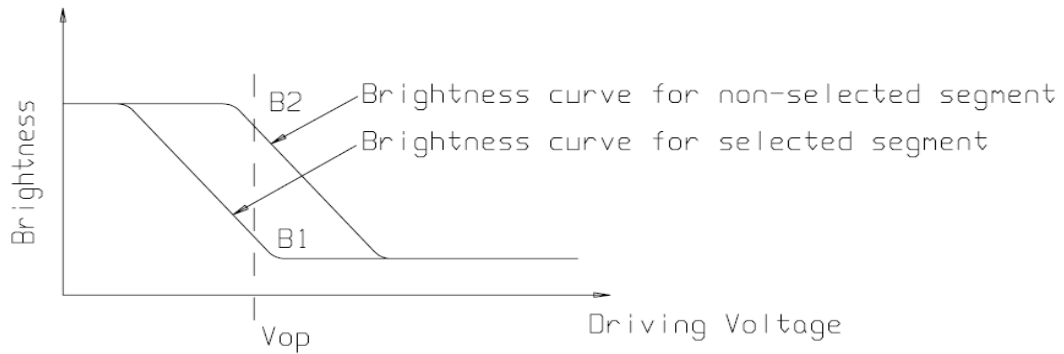


8. ELECTRO-OPTICAL CHARACTERISTICS

($V_{DD}=5.0V$, $T_a = 25^\circ C$)

Item	Symbol	Condition	Min	Typ	Max	Unit
Operating Voltage	V_{op}	$T_a = -20^\circ C$	3.6	3.9	4.2	V
		$T_a = 25^\circ C$	3.2	3.5	3.8	
		$T_a = 70^\circ C$	3.0	3.2	3.5	
Response time	T_r	$T_a = 25^\circ C$	---	185	---	ms
	T_f		---	200	---	ms
Contrast	C_r	$T_a = 25^\circ C$ $\theta_x = \theta_y = 0$	---	4	---	---
Viewing angle range	θ_x	$C_r \geq 2$	-40	---	+40	deg
	θ_y		-45	---	+30	deg

$$Cr = \frac{\text{Brightness of non-selected segment}(B2)}{\text{Brightness of selected segment}(B1)}$$



9. BACKLIGHT CHARACTERISTICS

LCD Module with Edge White LED Backlight
ELECTRICAL RATINGS

$T_a = 25^\circ\text{C}$

Item	Symbol	Condition	Min	Typ	Max	Unit
Forward Voltage	VF	IF=20mA	3.0	3.1	3.4	V
Reverse Current	IR	VR=5.0V	---	10	---	uA
Luminous Intensity(Without LCD)	Lv	IF=20mA	260	350	---	cd/m ²
Chromaticity Coordinates	X	IF=20mA	0.31	---	0.35	
	Y		0.31		0.35	
Color	White					

Note:

when the temperature exceed 25°C , the approved current decrease rate for Backlight change as the temperature increase is: $-0.36\text{mA}/^\circ\text{C}$ (below 25°C , the current refer to constant, which would not change with temperature).

10. CONTROL AND DISPLAY INSTRUCTION

Instruction	Instruction Code										Description	Execution time (Temp = 25°C)		
	RS	RW	DB7	DB6	DB5	DB4	DB3	DB2	DB1	DB0		Fosc= 190KHz	Fosc= 270KHz	Fosc= 350KHz
Clear Display	0	0	0	0	0	0	0	0	0	1	Write "20H" to DDRAM and set DDRAM address to "00H" from AC	2.16ms	1.52ms	1.18ms
Return Home	0	0	0	0	0	0	0	0	1	-	Set DDRAM address to "00H" from AC and return cursor to its original position if shifted. The contents of DDRAM are not changed.	2.16ms	1.52ms	1.18ms
Entry Mode Set	0	0	0	0	0	0	0	1	I/D	S	Assign cursor moving direction and enable the shift of entire display	53µs	38µs	29µs
Display ON/OFF Control	0	0	0	0	0	0	1	D	C	B	Set display (D), cursor(C), and blinking of cursor(B) on/off control bit.	53µs	38µs	29µs
Cursor or Display Shift	0	0	0	0	0	1	S/C	R/L	-	-	Set cursor moving and display shift control bit, and the direction, without changing of DDRAM data.	53µs	38µs	29µs
Function Set	0	0	0	0	1	DL	N	F	-	-	Set interface data length (DL: 8-bit/4-bit), numbers of display line (N: 2-line/1-line) and, display font type (F:5x10 dots/5x8 dots)	53µs	38µs	29µs
Set CGRAM Address	0	0	0	1	AC5	AC4	AC3	AC2	AC1	AC0	Set CGRAM address in address counter.	53µs	38µs	29µs
Set DDRAM Address	0	0	1	AC6	AC5	AC4	AC3	AC2	AC1	AC0	Set DDRAM address in address counter	53µs	38µs	29µs
Read Busy Flag and Address Counter	0	1	BF	AC6	AC5	AC4	AC3	AC2	AC1	AC0	Whether during internal operation or not can be known by reading BF. The contents of address counter can also be read.			
Write Data to RAM	1	0	D7	D6	D5	D4	D3	D2	D1	D0	Write data into internal RAM (DDRAM/CGRAM).	53µs	38µs	29µs
Read Data from RAM	1	1	D7	D6	D5	D4	D3	D2	D1	D0	Read data from internal RAM (DDRAM/CGRAM).	53µs	38µs	29µs

11. FONT CHARACTERISTIC

Upper 4 bit Lower 4 bit	Lower 4 bit																		
	LLLL	LLLH	LLHL	LLHH	LHLL	LHLH	LHHL	LHHH	HLLL	HLLH	HLHL	HLHH	HHLL	HHLH	HHHL	HHHH			
LLLL				0	1	P	Y	P					一	夕	三	⊗	⊙		
LLLH			!	1	A	Q	a	4					。	ア	チ	△	⊗	⊙	
LLHL			"	2	B	R	b	r					「	イ	ウ	×	⊗	⊙	
LLHH			#	3	C	S	c	s					」	ウ	テ	毛	⊗	⊙	
LHLL			※	4	D	T	d	t					レ	エ	ト	カ	⊗	⊙	
LHLH			※	5	E	U	e	u					・	オ	カ	コ	⊗	⊙	
LHHL			※	6	F	V	f	v					ヲ	カ	ニ	ヨ	⊗	⊙	
LHHH			※	7	G	W	g	w					ヲ	キ	又	ヲ	⊗	⊙	
HLLL			0	8	H	⊗	h	⊗					イ	ウ	ホ	リ	⊗	⊙	
HLLH			※	9	I	Y	i	y					ウ	ウ	ル	⊗	⊙		
HLHL			※	※	J	Z	j	z					エ	コ	白	レ	⊗	⊙	
HLHH			※	※	K	⊗	k	⊗					ホ	ウ	⊗	⊙	⊗	⊙	
HHLL			※	※	⊗	羊	⊗	⊗					ホ	ウ	フ	フ	⊗	⊙	
HHLH			一	=	N	⊗	n	⊗					ユ	又	⊗	⊙	⊗	⊙	
HHHL			・	>	N	⊗	n	⊗					ヨ	セ	ホ	⊗	⊙	⊗	⊙
HHHH			ノ	?	⊗	⊗	⊗	⊗					ウ	ウ	マ	⊗	⊙	⊗	⊙

12. PRECAUTION FOR USING LCD/LCM

LCD/LCM is assembled and adjusted with a high degree of precision. Do not attempt to make any alteration or modification. The followings should be noted.

General Precautions:

1. LCD panel is made of glass. Avoid excessive mechanical shock or applying strong pressure onto the surface of display area.
2. The polarizer used on the display surface is easily scratched and damaged. Extreme care should be taken when handling. To clean dust or dirt off the display surface, wipe gently with cotton, or other soft material soaked with isopropyl alcohol, ethyl alcohol or trichlorotrifluoroethane, do not use water, ketone or aromatics and never scrub hard.
3. Do not tamper in any way with the tabs on the metal frame.
4. Do not make any modification on the PCB without consulting AGT.
5. When mounting a LCM, make sure that the PCB is not under any stress such as bending or twisting. Elastomer contacts are very delicate and missing pixels could result from slight dislocation of any of the elements.
6. Avoid pressing on the metal bezel, otherwise the elastomer connector could be deformed and lose contact, resulting in missing pixels and also cause rainbow on the display.
7. Be careful not to touch or swallow liquid crystal that might leak from a damaged cell. Any liquid crystal adheres to skin or clothes, wash it off immediately with soap and water.

Static Electricity Precautions:

1. CMOS-LSI is used for the module circuit; therefore operators should be grounded whenever he/she comes into contact with the module.
2. Do not touch any of the conductive parts such as the LSI pads; the copper leads on the PCB and the interface terminals with any parts of the human body.
3. Do not touch the connection terminals of the display with bare hand; it will cause disconnection or defective insulation of terminals.
4. The modules should be kept in anti-static bags or other containers resistant to static for storage.
5. Only properly grounded soldering irons should be used.
6. If an electric screwdriver is used, it should be grounded and shielded to prevent sparks.
7. The normal static prevention measures should be observed for work clothes and working benches.
8. Since dry air is inductive to static, a relative humidity of 50-60% is recommended.

Soldering Precautions:

1. Soldering should be performed only on the I/O terminals.
2. Use soldering irons with proper grounding and no leakage.
3. Soldering temperature: 270~300°C
4. Soldering time: 2 to 3 second.
5. Use eutectic solder with resin flux filling.
6. If flux is used, the LCD surface should be protected to avoid spattering flux.
7. Flux residue should be removed.

Operation Precautions:

1. The viewing angle can be adjusted by varying the LCD driving voltage V_o .
2. Since applied DC voltage causes electro-chemical reactions, which deteriorate the display, the applied pulse waveform should be a symmetric waveform such that no DC component remains. Be sure to use the specified operating voltage.
3. Driving voltage should be kept within specified range; excess voltage will shorten display life.
4. Response time increases with decrease in temperature.
5. Display color may be affected at temperatures above its operational range.
6. Keep the temperature within the specified range usage and storage. Excessive temperature and humidity could cause polarization degradation, polarizer peel-off or generate bubbles.
7. For long-term storage over 40°C is required, the relative humidity should be kept below 60%, and avoid direct sunlight.

Limited Warranty

AGT and modules are not consumer products, but may be incorporated by AGT customers into consumer products or components thereof, AGT does not warrant that its LCDs and components are fit for any such particular purpose.

1. The liability of AGT is limited to repair or replacement on the terms set forth below. AGT will not be responsible for any subsequent or consequential events or injury or damage to any personnel or user including third party personnel and/or user. Unless otherwise agreed in writing between AGT and the customer, AGT will only replace or repair any of its LCD which is found defective electrically or visually when inspected in accordance with AGT general LCD inspection standard . (Copies available on request)
2. No warranty can be granted if any of the precautions state in handling liquid crystal display above has been disregarded. Broken glass, scratches on polarizer mechanical damages as well as defects that are caused accelerated environment tests are excluded from warranty.
3. In returning the LCD/LCM, they must be properly packaged; there should be detailed description of the failures or defect.

13. LCM test criteria

1. Objective

The LCM test criteria are set to formalize AGT quality standards with reference to those of the customer for inspection, release and acceptance of finished LCM products in order to guarantee the quality required by the customer.

2. Scope

The criteria are applicable to all the LCM products manufactured by AGT, either supplied alone or embedded in or integrated with other components.

3. Inspection Apparatuses

Function testers, vernier calipers, microscopes, magnifiers, ESD wrist straps, finger cots, labels, ovens for high-low temperature tests, refrigerators, constant voltage power supply (DC) , desk lamps, etc.

4. Sampling Plan and Reference Standards

4.1.1 According to GB/T 2828.1---2003/ISO2859-1:1999, single sampling under formal inspection and the general inspection level II applies.

Item of Inspection	Sampling Rate	AQL Assessment
Cosmetic	II Single Sampling	MA=0.4 MI=1.5
Mechanical	N=3	C=0
Functional	II Single Sampling	MA=0.4 MI=1.5

4.1.2 GB/T 2828.1---2003/ISO2859-1:1999, sampling procedures and tables for batch inspection.

4.1.3 GB/T 1619.96 Test Methods for TN LCD.

4.1.4 GB/T 12848.91 General Specifications for STN LCD.

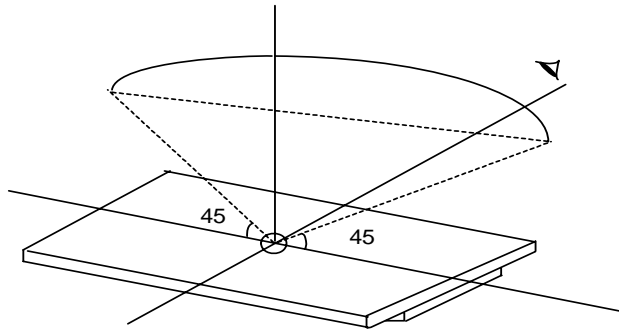
4.1.5 GB2421-89 Basic Environmental Test Procedures for Electrical and Electronic Products

4.1.6 IPC-A-610C Acceptance Condition for Electrical Assemblies.

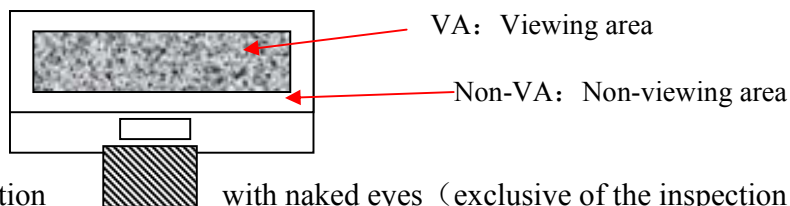
5. Inspection Conditions and Inspection Reference

5.1 Cosmetic inspection: shall be done normally at $25\pm 5^{\circ}\text{C}$ of the ambient temperature and $45\pm 20\%\text{RH}$ of relative humidity, under the ambient luminance greater than $300\text{cd}/\text{cm}^2$ and at the distance of 30cm apart between the inspector's eyes and the LCD panel and normally in reflected light. For back-lit LCMs, cosmetic inspection shall be done under the ambient luminance less than $100\text{cd}/\text{cm}^2$ with the backlight on.

5.2 The LCM shall be tested at the angle of 45°, left and right, and 0-45°, top and bottom (for STN LCM, at 20° -55°) .



5.3 Definition of VA



5.4 Inspection with naked eyes (exclusive of the inspection of the physical dimensions of defects carried out with magnifiers) .

5.5 Electrical properties

Inspection with the test jigs against the product specifications or drawings; display contents and parameters shall conform to those of the product specifications and the display effect to the sample.

5.5.1 Test voltage (V) :


5.5.1.1 (Determined) according to the operating instruction of test jigs assuming the external circuit can be adjusted unless the customer otherwise specifies driving voltage(s). (Display) effects are controlled within the specified range of voltage variation (If no specific requirements, display effects are controlled at $V_{op} = 9V$ or $V_{op} \pm 0.3V$ when V_{op} is below 9V; if V_{op} is above 9V, display effects are controlled at $V_{op} \pm 0.3\%$ at least). For display products with the customer-specified fixed V_{op} , display effects are controlled by adjusting the internal circuit; if necessary, acceptable limit samples shall be built.


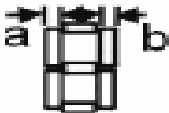
5.5.2 Current Consumption (I) : refer to approved product specifications or drawings.

6. Defects and Acceptance Standards

6.1 Dimensions: the outline dimensions and the dimensions that could influence the assembly at the customer's side shall conform to those on the approved drawings.

6.2 Main Defects – Functionality Tests:

No.	Item	Description	MAJ	MIN	Acceptance Criteria
6.2.1	Missing Segments	Missing segments or dots caused by broken contact(s), loose connection or an internal open circuit. 	√		Rejected
6.2.3	No display /Inaction	No segments, icons or graphics are displayed when the LCM is connected correctly.	√		Rejected
6.2.4	Mis-Display	Display pattern is deformed or jumbled-up under the normal scanning procedure.	√		Rejected
6.2.5	Wrong viewing angle	When powered up, the viewing angle at which the display is at its clearest is different from the required viewing angle or that of the approved samples.)	√		Rejected
6.2.6	Dim or Dark Display	Overall contrast is either too dark or too dim under normal operation.	√		If out of the voltage tolerance, Rejected
6.2.7	Slow response	Local response time varies when LCM is turned on or off.	√		Rejected
6.2.8	Extra segments, rows, or columns	Icons, traces, rows or columns that should not appear on the LCD screen and caused by LCD panel misalignment or insufficient corrosion.		√	Refer to dot/line standard
6.2.9	Dim segment	Under the normal voltage, the contrast of vertical and horizontal segments is uneven.		√	Reject or refer to samples
6.2.10	PI black/white spots	Partial black and white spots visible when changing display contents due to defective PI layer.		√	refer to the spot/line criteria for the visible spots when display image remains still; others OK.
6.2.11	pinhole/white	Deformed patterns appearing when		√	refer to


	spots	LCD is turned on caused by missing ITO.  $d = (X+Y)/2$			spot/line standard
6.2.12	Pattern distortion	Segment is either wider, narrower or deformed than the specified, caused by panel misalignment, resulting in unwanted heave(s) or missing: $ Ia-Ib \leq 1/4W$ (W is the normal width) 		√	Acceptable $ Ia-Ib > 1/4W$, rejected
6.2.13	High current	LCM current is larger than the designed value.		√	Rejected

6.3 LCD Visual Defects

6.3.1 Spot defect (defined within VA, spots out of VA do not count.)

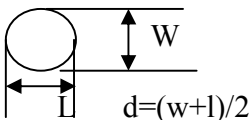
Defect	Average diameter (d)	Acceptable quantity	MAJ	MIN
Spot defect (black spot, foreign matter, nick, scratches, including LC mis-orientation.)	$d \leq 0.2$	3		√
	$0.2 < d \leq 0.25$	2		
	$0.25 < d \leq 0.30$	1		

6.3.2 Line defects (defined within VA; those out of VA do not count.)

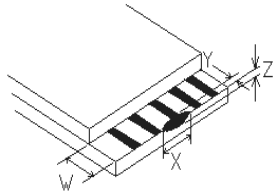
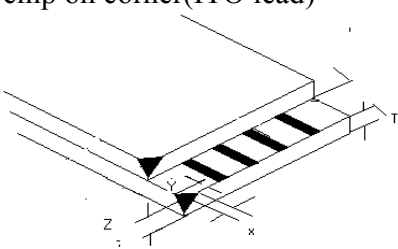
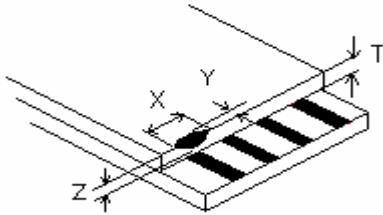
Defect	Length(L)	Width(W)	Acceptable quantity	MAJ	MIN
line defects (scratches, linear foreign matter) 	≤ 5.0	≤ 0.02	3		√
	≤ 3.0	≤ 0.03	3		
	≤ 3.0	≤ 0.05	1		

note: 1.If the width is bigger than 0.1mm, it shall be treated as spot defect.

6.3.3 Polarizer air bubble (defined within VA; those out of VA do not count.)

Defect	Average diameter (d)	Acceptable quantity	MAJ	MIN
Polarizer air bubble, Concave-Convex dot. 	$d \leq 0.3$	3		√
	$0.3 < d \leq 0.5$	2		
	$0.5 < d \leq 0.8$	1		

6.3.4 Glass Damages (for LCMs without bezels and whose LCD edges exposed and for LCMs with bezels, including COG and H/S LCMs)

No.	Item	Acceptance Standard	MAJ	MIN	
6.3.4.1		(mm)		√	
		X			$\leq 1/8L$
		Y			$\leq 1/3W$
		Z			$\leq 1/2t$
		Acceptable quantity			2
		When $Y \leq 0.2\text{mm}$, the length of X doesn't count; for chip neither on lead nor through, when $X \leq 1/10L$, $Y \leq 1/2W$ max, it doesn't count.			
6.3.4.2		(mm)	MAJ	MIN	
		X	Not entering into frame and not contacting with conductive position	√	
		Y			
		Z			$\leq t$
		Acceptable Quantity	2		
For chips on corners, refer to 6.3.4.3 and they must be out of the frame epoxy. For chips on lead, refer to 6.3.4.1					
6.3.4.3		(mm)	MAJ	MIN	
		X	$\leq 1/8 L$	√	
		Y	$\leq 1/2H$		
		Z	$\leq 1/2t$		
		Accept numbers	2		
The standard for inner chip on sealed area is the same as the standard for outer. For chip on the reverse of ITO contact pad ledge, refer to 6.3.4.1 for chip on the reverse of ITO contact pad ledge for the value of Y.					
Notes: T=Glass Thickness, L=Length, H=Distance between LCD Edge to Inside Edge of LCD Frame Epoxy and W=Width of Contact Pad Ledge.					

6.3.5 Others

No.	Item	Description	MAJ	MIN	Acceptance standard
6.3.5.1	Newton Ring /Background color	More than one color on the same LCD panel or different colors on different LCDs from the same batch.		√	Reject or refer to limit sample
6.3.5.2	LC Leakage	/	√		Rejected
6.3.5.3	Missing protective film	/		√	Rejected

6.4 Backlight

No.	Item	Description	MAJ	MIN	Accept standard
6.4.1	Backlight not working, wrong color	/	√		Rejected
6.4.2	Color deviation	When powered on, the LCD color differs from that of the sample and is found after testing not conforming to the drawing.		√	Refer to sample and drawing
6.4.3	Brightness deviation	When powered on, the LCD brightness differs from that of the sample and is found after testing not conforming to the drawing; or if conforming to the drawing but over±30%.		√	Refer to sample and drawing
6.4.4	Uneven brightness	When powered on, the LCD brightness is uneven on the same LCD and out of the specification of the drawing.		√	Refer to sample and drawing
6.4.5	Spot/line scratch	Appearance of spot or line scratches on the LCD when turned on.		√	Refer to 6.3.1/6.3.2

6.5 Metal frame (Metal Bezel)

No.	Item	Description	MAJ	MIN	Accept standard
6.5.1	Material/surface treatment	Metal frame/surface treatment do not conform to the specifications.	√		Rejected
6.5.2	Tab twist inconformity/ Tab not twisted	Wrong twist method or direction and twist tabs are not twisted as required.	√		Rejected
6.5.3	Oxidization, chapped paint, discoloration, dents, and scratches	Oxidation on the surface of the metal bezel; the quantity of spot defect (chapped front surface paint and substrate-exposing scratches) $\leq 0.8\text{mm}$ exceeds 3; the quantity of linear defects with the length $\leq 5.0\text{mm}$ and width $\leq 0.05\text{mm}$ exceeds 2; the quantity of spot defect (front dent, bubble, side surface chapped paint and substrate-exposing scratches) $\leq 1.0\text{mm}$ exceeds 3; the quantity of linear defects with the width $\leq 0.05\text{mm}$ exceeds 3.		√	Rejected
6.5.4	Burr	Burr(s) on metal bezel is so long as to get into viewing area.		√	Rejected

6.6 PCB/COB

No.	Item	Description	MAJ	MIN	Accept standard
-----	------	-------------	-----	-----	-----------------

6.6.1	Improper Epoxy Cover	<ol style="list-style-type: none"> 1. Contacts exposure within the white circle for COB chip bonding. 2. The height of epoxy cover is out of the product specifications and drawing. 3. The epoxy cover over the COB chip exceeds the circle by more than 2mm in diameter, which is the maximum distance the epoxy cover is allowed to exceed the circle. 4. Existence of obvious linear mark(s) or chip-exposing pinhole on the epoxy cover. 5. The pinhole diameter on the epoxy over exceeds 0.25mm and there is foreign matter in the pinhole. 		√	Rejected
6.6.2	PCB cosmetic defect	<ol style="list-style-type: none"> 1. Oxidized or contaminated gold fingers on PCB. 2. Bubbles on PCB after reflow-soldering. 3. Exposure of conductive copper foil caused by chapped or scratched solder-resist coating. <p>For the conductive area of PCB repaired with the solder resist coating material , the diameter ψ of the repaired area on the circuit must not exceed 1.3mm while for the non-conductive area of PCB repaired with the solder resist coating material, the diameter ψ must not exceed 2.6mm; the total number of repaired areas on PCB must be less than 10; otherwise, the PCB must be rejected.</p>		√	Rejected
6.6.3	Wrong or missing Components on PCB	<ol style="list-style-type: none"> 1. Components on PCB are not the same as defined by drawing such as wrong, excessive, missing, or mis-polarized components. (The bias circuit of LCD voltage or the backlight current limiting resistance is not adjusted unless specified by the customer.) 2. The JUMP short on PCB shall conform to the mechanical drawing. If excessive or missing soldering occurs, the PCB shall be rejected. 3. For components particularly required by the customer and specified in the mechanical drawing and/or component specifications, their specifications must 		√	Rejected

		conform to those of the suppliers; otherwise they shall be rejected.			
--	--	----------------------------------------------------------------------	--	--	--

6.7 SMT (Refer to IPC-A-610C if not specified)

No.	Item	Description	MAJ	MIN	Accept standard
6.7.1	Soldering solder defects	Cold, false and missing soldering, solder crack and insufficient solder dissolution.		√	Rejected
6.7.2	Solder ball/splash	Solder ball/tin dross causing short at the solder point.		√	Rejected
6.7.3	DIP parts	Floated or tilted DIP parts, keypad, connectors.		√	Rejected
6.7.4	Solder shape	The welded spot should be concave and excessive or insufficient solder or solder burr on the welded spot must be rejected.		√	Rejected
6.7.5	Component pin exposure	For the DIP type components, 0.5~2mm component pin must be remained after cutting the soldered pin, and the solder surface should not be damaged nor should the component pin is fully covered with solder; otherwise rejected.		√	Reject
6.7.6	Poor Appearance	Caused by yellow-brown or black solder flux or resin or the white mist at the solder point caused by PCB cleaning.		√	reject

6.8 Heat Pressing (including H/S, FPC, etc.)

No.	Item	Description	MAJ	MIN	Acceptance standard
6.8.1	H/S or FPC out of specification		√		Rejected
6.8.2	Dimensions /position	Dimensions of heat compression material should be within the specification of the drawing and the contact of conductive material should cover more than 1/2 of ITO, PDA, etc and the dimensions of dislocation shall be within the tolerance.		√	Acceptable
6.8.3	Foreign Matter in Heat pressure area	If foreign matter in conductive heat compression area shall not cause short, it is OK. If foreign matter in non-conductive heat compression area does not exceed 50% of the heat pressure area, it is OK.		√	Acceptable

6.8.4	Folds			√	Refer to limited sample
-------	-------	--	--	---	-------------------------

6.9 Connectors and other components

No.	Item	Description	MAJ	MIN	Accept standard
6.9.1	Out of Specification	The specification of connector and other components do not conform to the drawing.	√		Rejected
6.9.2	Position and order	Solder position and Pin# 1 should be in the positions specified by the drawing.		√	Rejected
6.9.3	Cosmetic	1. Flux on PCB components and pins. 2. The pin width of a PIN connector exceeds ½ of the specified pin width.		√	Rejected

6.10 General Appearance

No.	Item	Description	MAJ	MIN	Accept standard
6.10.1	Connection material	1. Damaged or contaminated FPC or H/S gold fingers or FFC contacts. 2. Sharp folds on FPC, FFC, COF, H/S (unless designed for). 3. Solder paste larger than 2/3 of pin width on the gold finger of FPC and PCB. 4. Pierced or folded FPC/FFC exceeding limit sample.		√	Rejected
6.10.2	Defective stiffener	Stiffener not fully covering H/S, FFC, or FPC and or not pasted on or glued on output pins.		√	Rejected
6.10.3	Surface dirt	Smears, residual glue, finger prints, etc. on the surface of finished LCMs; solder spatters or solder balls on non-soldered area of PCB/COB. Non-removed defect mark or label on LCMs.		√	Rejected
6.10.4	Assembly black spot	Smears or black spots found on LCMs after backlight or diffuser are assembled.		√	Refer to 6.3.1
6.10.5	Product mark	Missing, unclear, incorrect, or misplaced part numbers and/or batch marks.		√	Rejected
6.10.6	Inner packing	Packing being inconsistent with quantity and part number on packing label, specifications or the customer order - either short-packed or over-packed.		√	Rejected

7. Reliability test

Test item	Condition	Time(hrs)	Acceptance standard
High Storage Temp.	80°C	120	Functions and appearance are qualified before and after test
High Operating Temp.	70°C	120	
Low Storage Temp.	-30°C	120	
Low Operating Temp.	-20°C	120	
Temp& Humidity Test	40°C/ 90%RH	120	
Thermal Shock	-20°C ← 25°C → +70°C (30 min ← 5 min → 30min)	10 cycles	

Notes: ①Reliability tests shall be done as required by the customer if they inform AGT of their special requirements when starting a project.

②Storage test at high-low temperature and functionality test shall be done with reference to the specified temperature range.

③Test conditions shall be controlled at the permissible tolerance of $\pm 5^{\circ}\text{C}$.

8. Packing

8.1 Product packing shall be checked and qualified in accordance with design requirements for packing. The product packaging label shall bear not only product name, part number, quantity, product date code but also QA's qualifying stamp for each production stage. Incomplete or wrong label shall be unacceptable.

8.2 When there are problems with packing safety conformity such as shock resistance, moisture resistance, anti ESD and pressure resistance, packing shall be disqualified.

8.3 When confirmed and accepted by AGT, packing shall be inspected and released according to the customer's special requirements for packing.

8.4 RoHS and non-RoHS compliant products shall be labeled clearly and separately. Unless otherwise specified by the customer, "RoHS" labels shall be used for all RoHS compliant products.

9. Others

9.1 Items not specified in this document or released on compromise should be inspected with reference to the mutual agreement and limit samples.